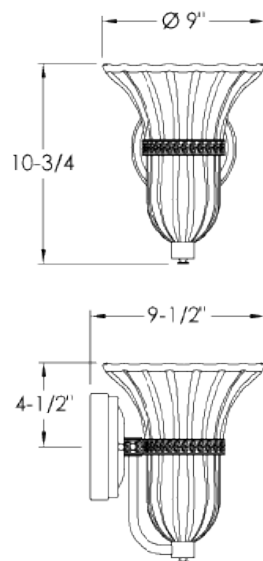


# SCONCES





# MODEL 3011



#### DIMENSIONS:

H: 10 3/4" D: 9 1/2 " W: 9 "

#### FINISH SHOWN:

**PC** Polished Chrome


#### ALSO AVAILABLE IN:


**ORBZ** Oil Rubbed Bronze

#### SHADE MATERIAL SHOWN:

Cloud Glass

#### LAMPING:

(1)  **GU24** Base Socket, for LED A Style Bulb or Self-Ballasted CFL

(1)  **Medium** Base Socket, for LED A Style Bulb or Self-Ballasted CFL





# MODEL 3025



#### DIMENSIONS:

H: 4" D: 3" W: 24"

#### FINISH SHOWN:

**SA** Satin Aluminum


#### SHADE MATERIAL SHOWN:


Frosted Acrylic

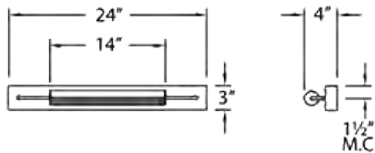
#### SWITCH:

On/Off Rocker Switch

#### LAMPING:

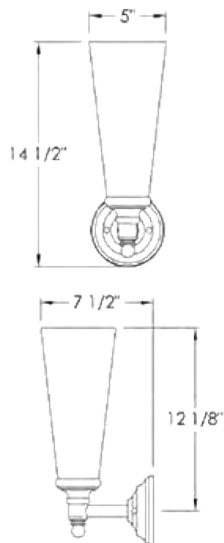
(1)  **8T5** 8 Watt Mini Bi-Pin, T-5

 **L9-30K** 9 Watts, 3000K LED





# MODEL 3032



#### DIMENSIONS:

H: 14 1/2" D: 7 1/2" W: 5"


#### FINISH SHOWN:


**ANTB** Antique Brass

#### SHADE MATERIAL SHOWN:

Opal Matte Glass

#### LAMPING:

(1)  **T60** 60 Watt T-10 Incandescent

(1)  **GU24** Base Socket, for LED A Style Bulb  
or Self-Ballasted CFL





# MODEL 3061-24



#### DIMENSIONS:

H: 24" D: 2 1/2 " W: 2 1/2 "

#### FINISH SHOWN:

**BCH** Brushed Chrome

#### ALSO AVAILABLE IN:

**BN** Brushed Nickel

**PB** Polished Brass

**PC** Polished Chrome

**PN** Polished Nickel


#### SHADE MATERIAL SHOWN:

Frosted Acrylic

#### ADDITIONAL NOTES:

Requires 2" x 4" Junction Box

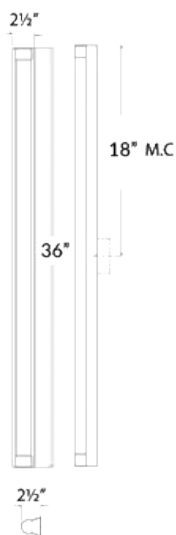
#### LAMPING:

(1)  **17T8** 17 Watt Bi-Pin T-8





# MODEL 3061-36



#### DIMENSIONS:

H: 36" D: 2 1/2 " W: 2 1/2 "

#### FINISH SHOWN:

**BCH** Brushed Chrome

#### ALSO AVAILABLE IN:

**BN** Brushed Nickel

**PB** Polished Brass

**PC** Polished Chrome

**PN** Polished Nickel


#### SHADE MATERIAL SHOWN:

Frosted Acrylic

#### ADDITIONAL NOTES:

Requires 2" x 4" Junction Box

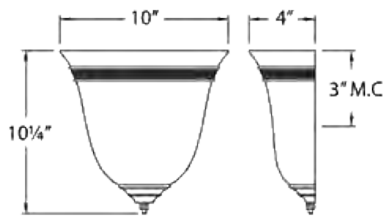
#### LAMPING:

(1)  25T8 25 Watt Bi-Pin T-8





# MODEL 3166



#### DIMENSIONS:

H: 10 1/4 " D: 4 " W: 10 "


#### FINISH SHOWN:


**ORBZ** Oil Rubbed Bronze

#### SHADE MATERIAL SHOWN:

Antique Glass

#### LAMPING:

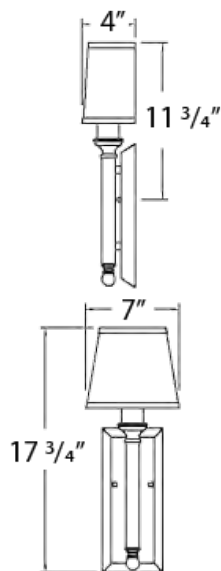
(1)  **GU24** Base Socket, for LED A Style Bulb or Self-Ballasted CFL

 **L10-30K** 10 Watts, 3000K LED





# MODEL 3171



#### DIMENSIONS:

H: 17 3/4" D: 4" W: 7"

#### FINISH SHOWN:

**PB** Polished Brass

#### SHADE MATERIAL SHOWN:

Linen Cream

#### SHADE SIZE:

H: 5 3/4" D: 4" W: 7"

#### LAMPING:

(1)  **GU24** Base Socket, for 13 Watt Quad CFL







# MODEL 3173-25



#### DIMENSIONS:

H: 4 1/4" D: 5 1/2" W: 25 1/2"

#### FINISH SHOWN:

PC Polished Chrome




#### SHADE MATERIAL SHOWN:

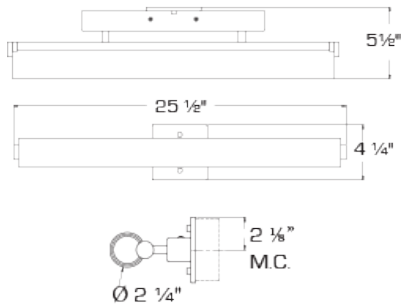
Opal Matte Acrylic

#### ADDITIONAL NOTES:

Fixture can be mounted Horizontally or Vertically

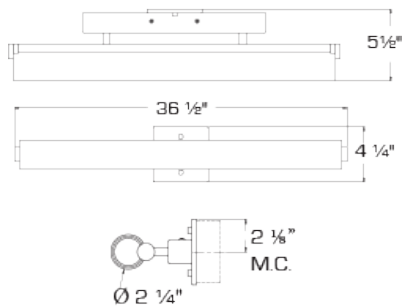
#### LAMPING:

- (1)  **28T5** 28 Watt Mini Bi-Pin, T-5
- (1)  **FP54** 54 Watt Mini Bi-Pin, T-5 High Output or 24 Watt T5 LED
-  **L48-27K** 48 Watts, 2700K LED





# MODEL 3173-36



#### DIMENSIONS:

H: 4 1/4" D: 5 1/2" W: 36 1/2"

#### FINISH SHOWN:

**PC Polished Chrome**




#### SHADE MATERIAL SHOWN:

Opal Matte Acrylic

#### ADDITIONAL NOTES:

Fixture can be mounted Horizontally or Vertically

#### LAMPING:

- (1)  **21T5** 21 Watt Mini Bi-Pin, T-5
- (1)  **FP39** 39 Watt Mini Bi-Pin, T-5 High Output or 18 Watt T5 LED
-  **L36-27K** 36 Watts, 2700K LED





# MODEL 3173-48



#### DIMENSIONS:

H: 4 1/4" D: 5 1/2" W: 48 1/2"

#### FINISH SHOWN:

**PC** Polished Chrome


#### SHADE MATERIAL SHOWN:


Opal Matte Acrylic

#### ADDITIONAL NOTES:

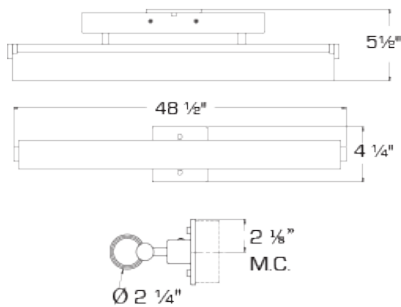
Fixture can be mounted Horizontally or Vertically

#### LAMPING:

(1)  **14T5** 14 Watt Mini Bi-Pin, T-5 or LED equivalent

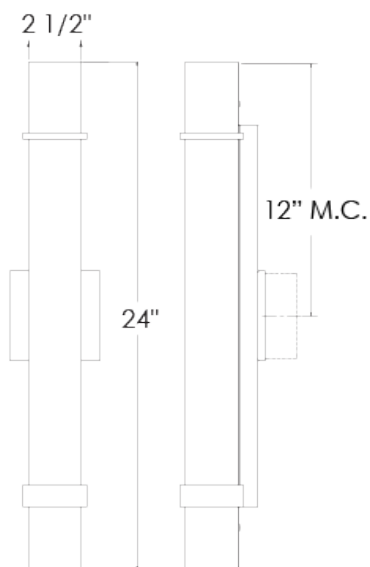
(1)  **FP24** 24 Watt Mini Bi-Pin, T-5 High Output or 12 Watt T5 LED

 **L24-27K** 24 Watts, 2700K LED





# MODEL 3176



#### DIMENSIONS:

H: 24 " D: 4 " W: 4 1/2 "

#### FINISH SHOWN:

**PC** Polished Chrome

#### ALSO AVAILABLE IN:


**SN** Satin Nickel

**SDB** Standard Bronze


#### SHADE MATERIAL SHOWN:

Linen Acrylic

#### LAMPING:

(1)  **FP24** 24 Watt Mini Bi-Pin, T-5 High

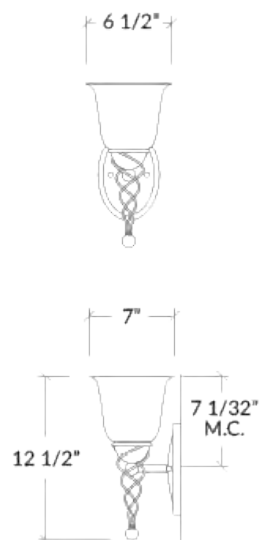
Output or 12 Watt T5 LED

 **L17-27K** 17 Watts, 2700K LED





# MODEL 3183



#### DIMENSIONS:

H: 12 1/2 " D: 7 " W: 6 1/2 "

#### FINISH SHOWN:

**SN** Satin Nickel


#### ALSO AVAILABLE IN:


**AGB** Aged Brass

#### SHADE MATERIAL SHOWN:

Opal Matte Glass

#### LAMPING:

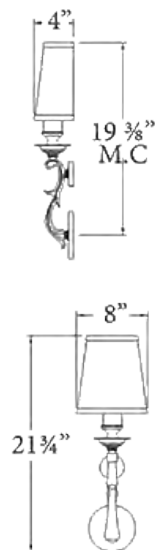
(1)  **GU24** Base Socket, for LED A Style Bulb or Self-Ballasted CFL

(1)  **Medium** Base Socket, for LED A Style Bulb or Self-Ballasted CFL





# MODEL 3188



#### DIMENSIONS:

H: 21 3/4" D: 4" W: 8"

#### FINISH SHOWN:

**AGB** Aged Brass


#### SHADE MATERIAL SHOWN:


Black Parchment

#### SHADE SIZE:

H: 7 1/2" D: 4" W: 7"

#### LAMPING:

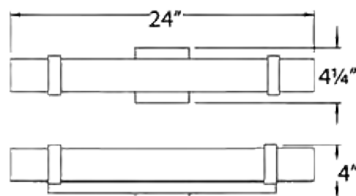
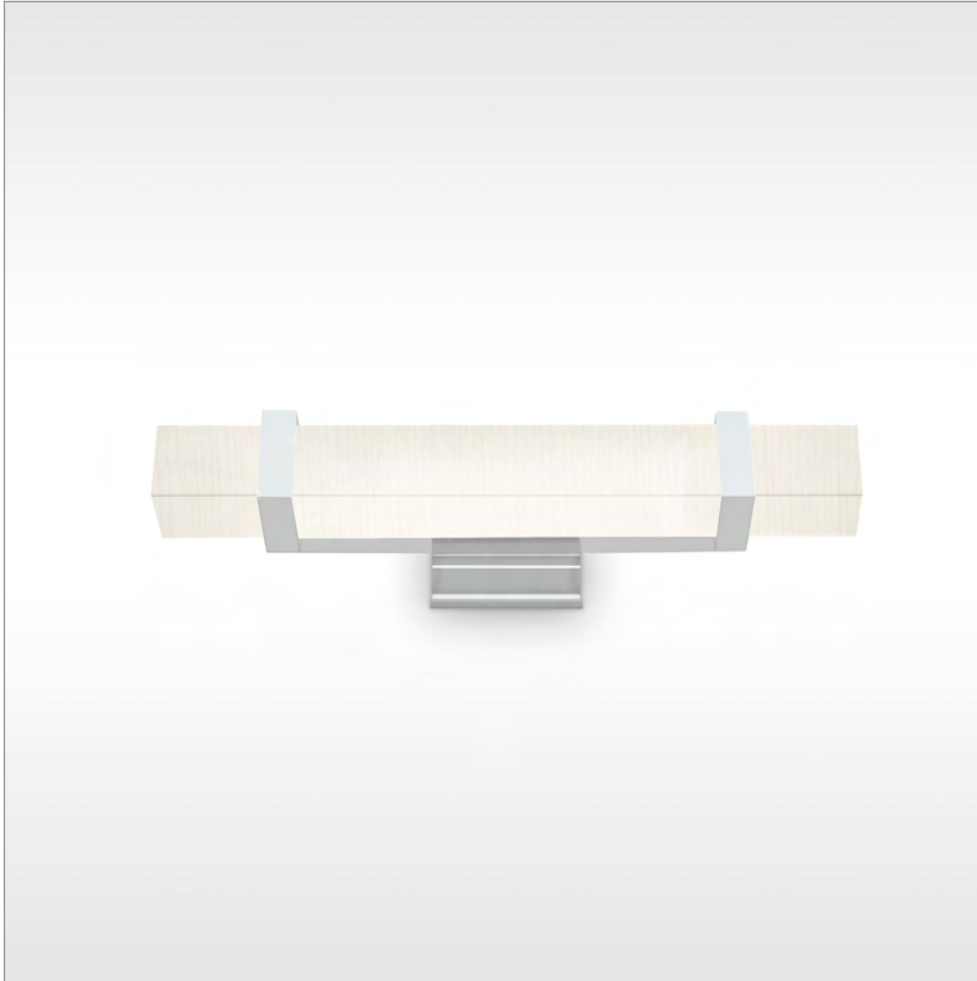
(1)  **GU24** Base Socket, for LED T Style Bulb or 13 Watt Quad CFL

(1)  **C13E** 13 Watt Quad Tube Compact Fluorescent 4 Pin Electronic, G24Q-1 Base





# MODEL 3196-24



#### DIMENSIONS:

H: 4 1/2 " D: 4 " W: 24"

#### FINISH SHOWN:

**PC** Polished Chrome

#### ALSO AVAILABLE IN:


**SN** Satin Nickel

**SDB** Standard Bronze

#### SHADE MATERIAL SHOWN:

Linen Acrylic

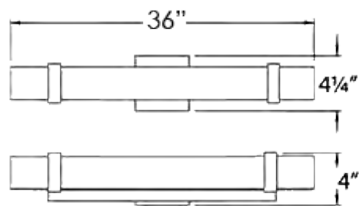
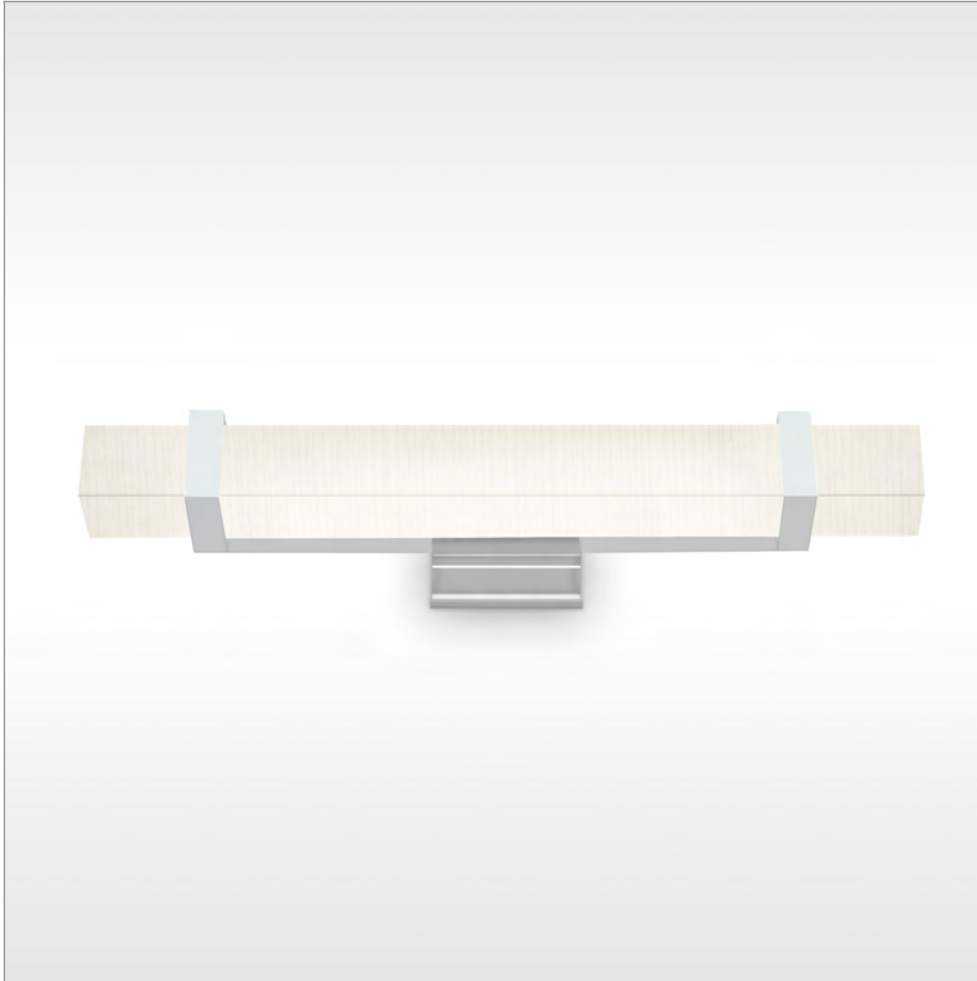
#### LAMPING:

(1)  **FP24** 24 Watt Mini Bi-Pin, T-5 High Output or 12 Watt T5 LED





# MODEL 3196-36



#### DIMENSIONS:

H: 4 1/2 " D: 4 " W: 36"

#### FINISH SHOWN:

**PC** Polished Chrome

#### ALSO AVAILABLE IN:


**SN** Satin Nickel

**SDB** Standard Bronze

#### SHADE MATERIAL SHOWN:

Linen Acrylic

#### LAMPING:

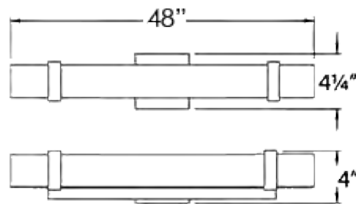
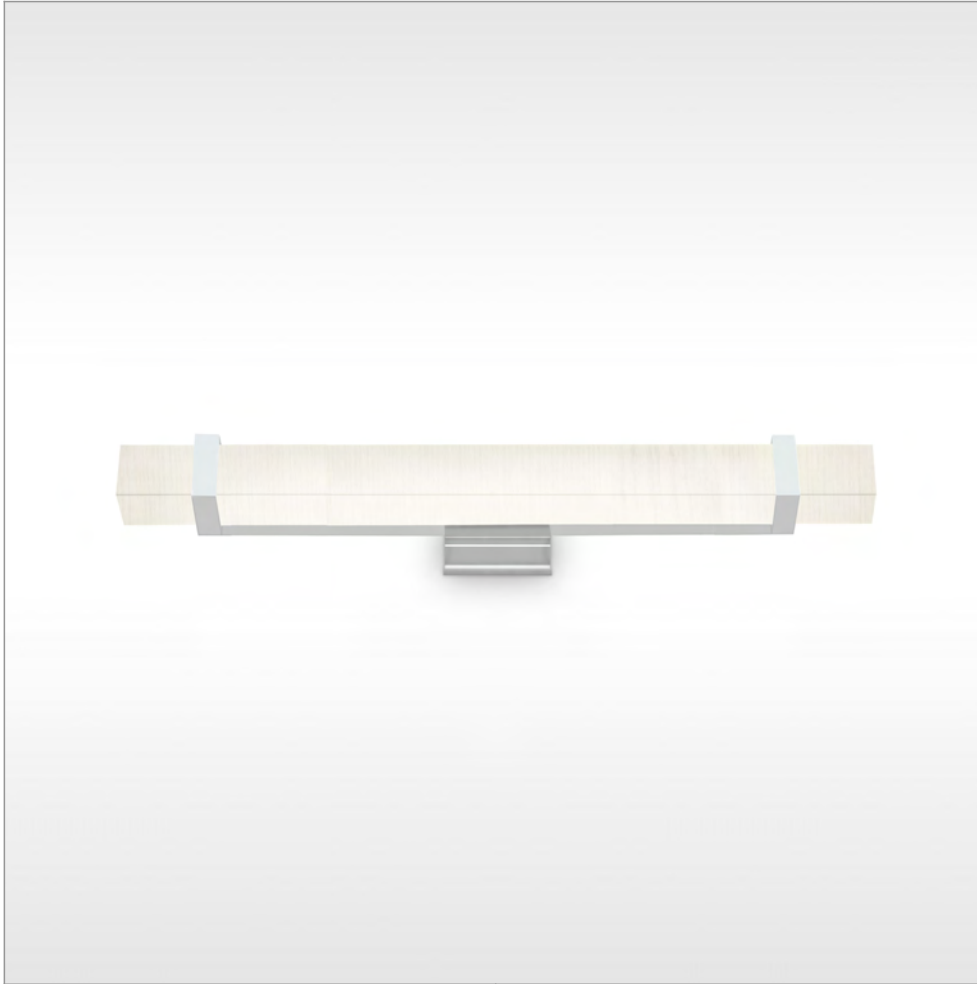
(1)  **FP39** 39 Watt Mini Bi-Pin, T-5 High Output or 18 Watt T5 LED







# MODEL 3196-48



#### DIMENSIONS:

H: 4 1/2 " D: 4 " W: 48"

#### FINISH SHOWN:

**PC** Polished Chrome

#### ALSO AVAILABLE IN:


**SN** Satin Nickel

**SDB** Standard Bronze

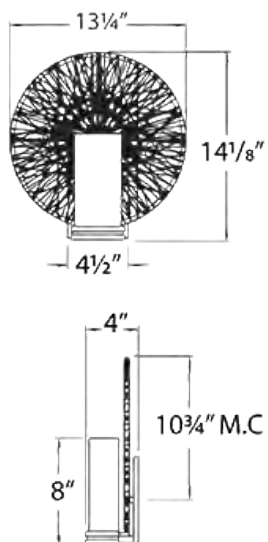
#### SHADE MATERIAL SHOWN:

Linen Acrylic

#### LAMPING:

(1)  **FP54** 54 Watt Mini Bi-Pin, T-5 High Output or 24 Watt T5 LED





DIMENSIONS:

H: 14 1/8" D: 4 " W: 13 1/4 "


FINISH SHOWN:


**BZ** Bronze

SHADE MATERIAL SHOWN:

Opal Matte Glass

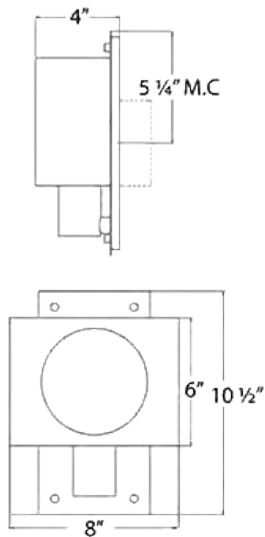
LAMPING:

(1)  **GU24** Base Socket, for LED T Style Bulb or 13 Watt Quad CFL

(1)  **T60** 60 Watt T-10 Incandescent



# MODEL 3214



#### DIMENSIONS:

H: 10 1/2 " D: 4 " W: 8 "


#### FINISH SHOWN:


**OBZ** Oxidized Bronze

#### SHADE MATERIAL SHOWN:

Willow Amago Acrylic

#### LAMPING:

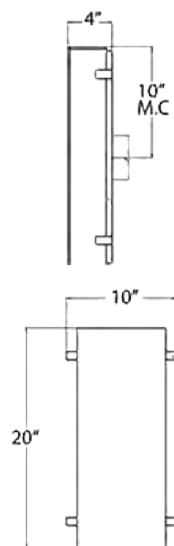
(1)  **GU24** Base Socket, for LED T Style Bulb or 13 Watt Quad CFL

(1)  **Medium** Base Socket, for LED T Style Bulb or 13 Watt Quad CFL





# MODEL 3239



#### DIMENSIONS:

H: 20 " D: 4 " W: 10 "


#### FINISH SHOWN:

**ORBZ** Oil Rubbed Bronze

#### SHADE MATERIAL SHOWN:

Caramel ACrylic

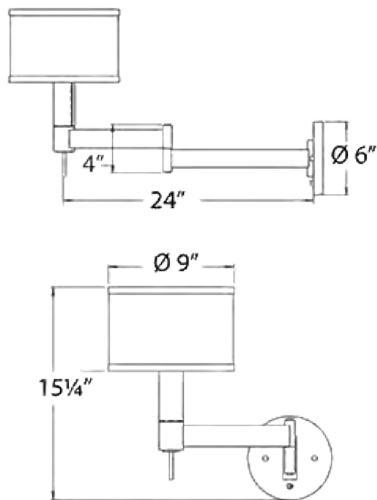
#### LAMPING:

(1)  **CF39** 39 Watt Biax Compact Fluorescent 4  
Pin Electronic, 2G11 Base





# MODEL 3259



**DIMENSIONS:**

H: 15 1/4" D: 24" W: 9"

**FINISH SHOWN:**

**PC Polished Chrome**

**SHADE MATERIAL SHOWN:**

CD Ivory


**SHADE SIZE:**


H: 6" Dia: 9"

**SWITCH:**

On/Off Rocker Switch at Backplate

**LAMPING:**

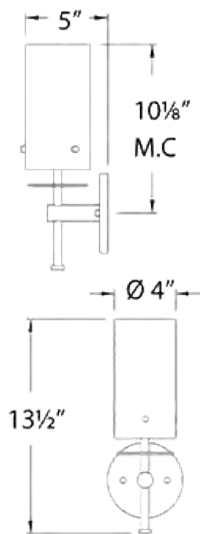
(1)  **GU24** Base Socket, for LED A Style Bulb or Self-Ballasted CFL

(1)  **Medium** Base Socket, for LED A Style Bulb or Self-Ballasted CFL





# MODEL 3260



#### DIMENSIONS:

H: 13 1/2 " D: 5" W: 4"

#### FINISH SHOWN:

**SN** Satin Nickel

#### ALSO AVAILABLE IN:


**ANTB** Antique Brass


**SDB** Standard Bronze

#### SHADE MATERIAL SHOWN:

Opal Matte Glass

#### LAMPING:

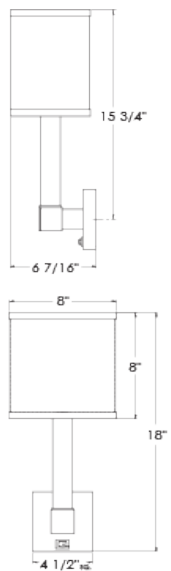
(1)  **Medium** Base Socket, for LED A Style Bulb or Self-Ballasted CFL

(1)  **GU24** Base Socket, for LED A Style Bulb or Self-Ballasted CFL





# MODEL 3262



#### DIMENSIONS:

H: 18" D: 6 7/16" W: 8"

#### FINISH SHOWN:

**BN** Brushed Nickel

#### ALSO AVAILABLE IN:

**PN** Polished Nickel

**SDB** Standard Bronze

#### SHADE MATERIAL SHOWN:

CD Ivory Linen


#### SHADE SIZE:

H: 8" D: 6" W: 8"

#### SWITCH:

On/Off Rocker Switch at Backplate

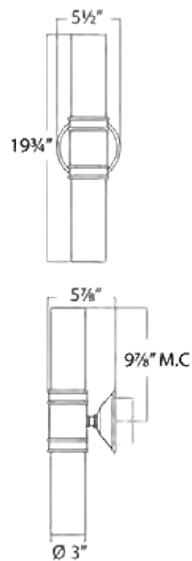
#### LAMPING:

(1)  **Medium** Base Socket, for LED A Style Bulb or Self-Ballasted CFL





# MODEL 3284



#### DIMENSIONS:

H: 19 3/4 " D: 5 7/8 " W: 5 1/2 "


#### FINISH SHOWN:


**ORBZ** Oil Rubbed Bronze

#### SHADE MATERIAL SHOWN:

Opal Matte Glass

#### LAMPING:

(2)  **GU24** Base Socket, for LED T Style Bulb  
or 13 Watt Quad CFL

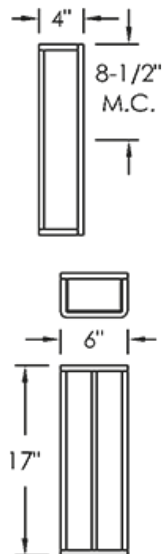
(2)  **T60** 60 Watt T-10 Incandescent







# MODEL 3327



#### DIMENSIONS:

H: 18 1/4" D: 4" W: 6"

#### FINISH SHOWN:

SA Satin Aluminum


#### SHADE MATERIAL SHOWN:

Opal Matte Acrylic

#### LAMPING:

(1)  CF27 27 Watt Biax Compact Fluorescent

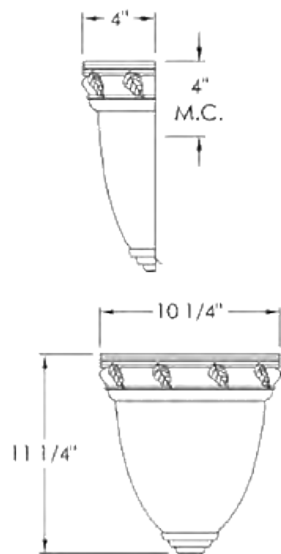
Electronic, 2G11 Base

 **L18-30K** 18 Watts, 3000K LED





# MODEL 3375



#### DIMENSIONS:

H: 11 1/4" D: 4" W: 10 1/4"


#### FINISH SHOWN:

**BZ** Bronze

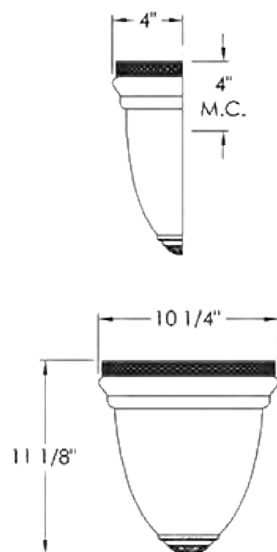
#### SHADE MATERIAL SHOWN:

Opal Matte Glass

#### LAMPING:

(1)  Candelabra Base (E12) Socket for 9 Watt LED





**DIMENSIONS:**

H: 11 1/8" D: 4" W: 10 1/4"

**FINISH SHOWN:**

**AGB** Aged Brass


**ALSO AVAILABLE IN:**

**SN** Satin Nickel


**SHADE MATERIAL SHOWN:**


Moire Glass

**LAMPING:**

(2)  **C18E** 18 Watt Quad Tube Compact

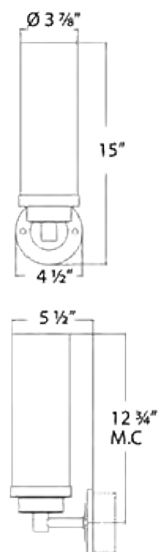
Flourescent 4 Pin Electronic, G24Q-2 Base

(2)  **CB60** 60 Watt Candelabra Base

 **L10-30K** 10 Watts, 3000K LED



# MODEL 3379



#### DIMENSIONS:

H: 15" D: 5 1/2" W: 4 1/2"

#### FINISH SHOWN:

**PC** Polished Chrome

#### ALSO AVAILABLE IN:

**PB** Polished Brass

**OBZ** Oxidized Bronze


**SC** Satin Chrome


**SN** Satin Nickel

#### SHADE MATERIAL SHOWN:

Opal Matte Glass

#### LAMPING:

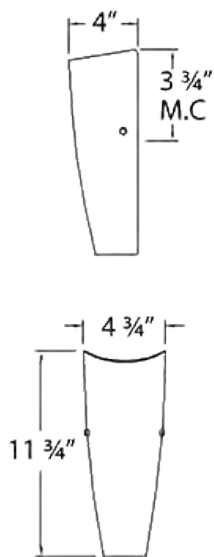
(1)  **GU24** Base Socket, for LED A Style Bulb or Self-Ballasted CFL

(1)  **Medium** Base Socket, for LED A Style Bulb or Self-Ballasted CFL





# MODEL 3380



#### DIMENSIONS:

H: 11 3/4 " D: 4" W: 4 3/4 "


#### FINISH SHOWN:


**PB** Polished Brass


#### SHADE MATERIAL SHOWN:

Opal Matte Glass

#### LAMPING:

(1)  **GU24** Base Socket, for LED T Style Bulb  
or 13 Watt Quad CFL

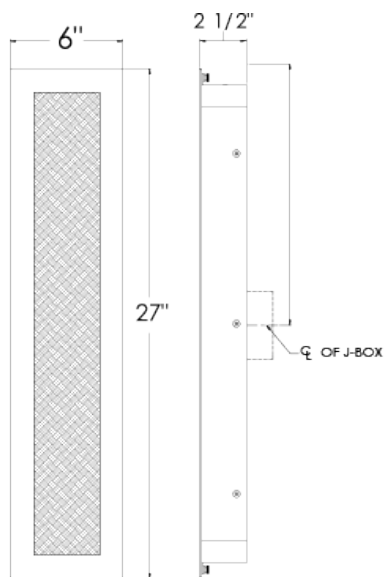
(1)  **T60** 60 Watt T-10 Incandescent

 **L10-30K** 10 Watts, 3000K LED





# MODEL 3381



**DIMENSIONS:**

H: 27 " D: 2 1/2 " W: 6 "


**FINISH SHOWN:**

**SN** Satin Nickel

**SHADE MATERIAL SHOWN:**

Knoll Tiki Imago Acrylic

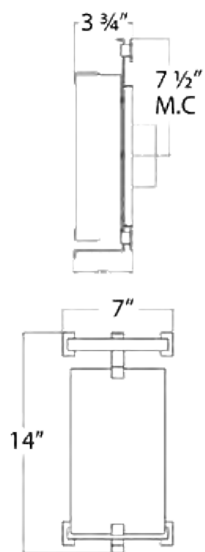
**LAMPING:**

 **L18-30K** 18 Watts, 3000K LED





# MODEL 3407



#### DIMENSIONS:

H: 14" D: 3 3/4" W: 7"


#### FINISH SHOWN:


**BZ** Bronze

#### SHADE MATERIAL SHOWN:

Opal Matte Acrylic

#### LAMPING:

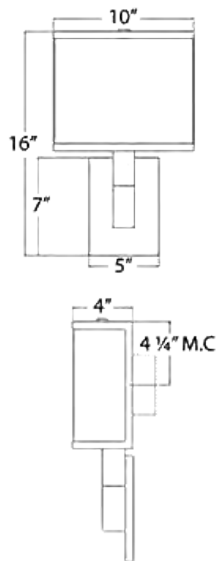
(1)  **T60** 60 Watt T-10 Incandescent

(1)  **GU24** Base Socket, for LED T Style Bulb  
or 13 Watt Quad CFL





# MODEL 3411



#### DIMENSIONS:

H: 16" D: 4" W: 10"

#### FINISH SHOWN:

**BZ** Bronze

**PN** Polished Nickel

#### ALSO AVAILABLE IN:

**SN** Satin Nickel


#### SHADE MATERIAL SHOWN:

CD Ivory


#### SHADE SIZE:


H: 8 1/2" D: 4" W: 10"

#### LAMPING:

(2)  **C13E** 13 Watt Quad Tube Compact

Fluorescent 4 Pin Electronic, G24Q-1 Base

(2)  **GU24** Base Socket, for LED A Style Bulb  
or Self-Ballasted CFL

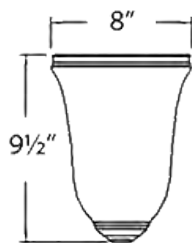
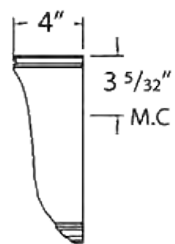
(1)  **Medium** Base Socket, for LED A Style  
Bulb or Self-Ballasted CFL







# MODEL 3418



#### DIMENSIONS:

H: 9 1/2 " D: 4 " W: 8 "

#### FINISH SHOWN:

**PB** Polished Brass

#### ALSO AVAILABLE IN:


**SN** Satin Nickel


**ANTB** Antique Brass

#### SHADE MATERIAL SHOWN:

Opal Matte Glass

#### LAMPING:

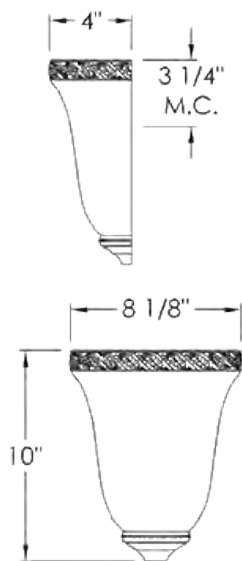
(2)  **CB60** 60 Watt Candelabra Base

 **L10-30K** 10 Watts, 3000K LED





# MODEL 3423



#### DIMENSIONS:

H: 10" D: 4" W: 8 1/8"

#### FINISH SHOWN:

**AGB** Aged Brass


#### ALSO AVAILABLE IN:


**SN** Satin Nickel

#### SHADE MATERIAL SHOWN:

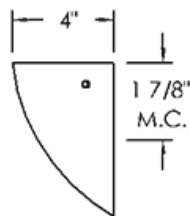
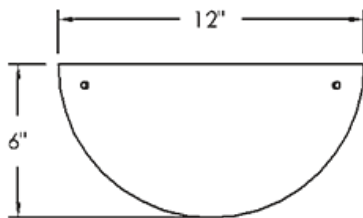
Opal Matte Glass

#### LAMPING:

(2)  **CB60** 60 Watt Candelabra Base

 **L10-30K** 10 Watts, 3000K LED





**DIMENSIONS:**

H: 6" D: 4" W: 12"


**FINISH SHOWN:**


**PB** Polished Brass

**SHADE MATERIAL SHOWN:**

Opal Matte Glass

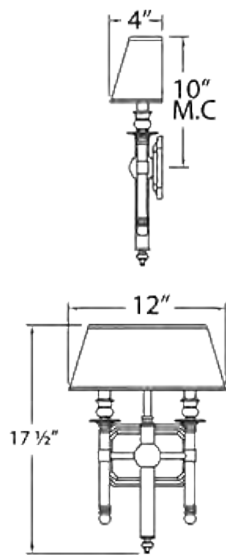
**LAMPING:**

(1)  **GU24** Base Socket, for LED A Style Bulb  
or Self-Ballasted CFL

 **L10-30K** 10 Watts, 3000K LED



# MODEL 3428



#### DIMENSIONS:

H: 17 1/2" D: 4" W: 12"

#### FINISH SHOWN:

**ANTB** Antique Brass

**PB** Polished Brass


**PC** Polished Chrome

**SN** Satin Nickel

#### SHADE MATERIAL SHOWN:

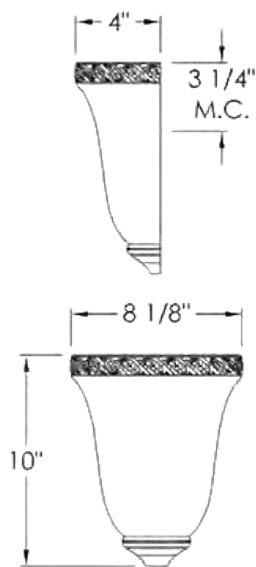
Black Parchment

#### LAMPING:

(2)  Candelabra Base (E12) Socket for 9 Watt

LED





DIMENSIONS:

H: 10" D: 4" W: 8 1/8"



FINISH SHOWN:

AGB Aged Brass

SHADE MATERIAL SHOWN:

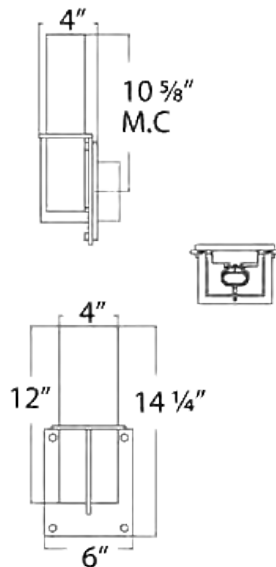
Miranda Glass

LAMPING:

-  **L10-30K** 10 Watts, 3000K LED
- (2)  **CB60** 60 Watt Candelabra Base



# MODEL 3497



#### DIMENSIONS:

H: 14 1/4" D: 4" W: 6"

#### FINISH SHOWN:

PC Polished Chrome


#### SHADE MATERIAL SHOWN:

Opal Matte Acrylic

#### LAMPING:

(1)  **CF18** 18 Watt Biax Compact Fluorescent

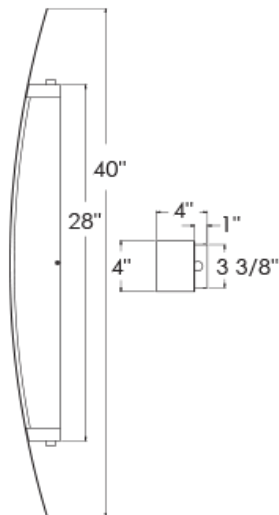
Electronic 2G11 Base

 **L16-30K** 16 Watts, 3000K LED





# MODEL 3547



**DIMENSIONS:**

H: 4" D: 4" W: 40"


**FINISH SHOWN:**

**SA** Satin Aluminum

**SHADE MATERIAL SHOWN:**

Opal Matte Acrylic

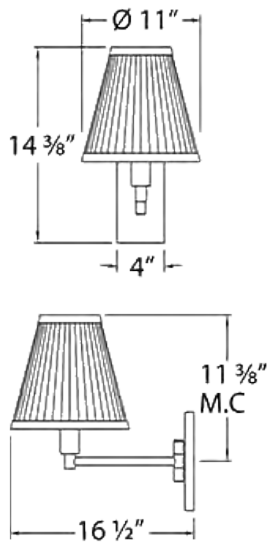
**LAMPING:**

(1)  **CF55** 55 Watt Biax Compact Fluorescent  
Electronic 2G11 Base





# MODEL 3649



#### DIMENSIONS:

H: 14 3/8" D: 16 1/2" W: 11"

#### FINISH SHOWN:

**PC** Polished Chrome


#### SHADE MATERIAL SHOWN:


CD Ivory Shirred Mushroom Pleat

#### SHADE SIZE:

H: 6" Dia: 11"

#### LAMPING:

(1)  **GU24** Base Socket, for LED A Style Bulb or Self-Ballasted CFL

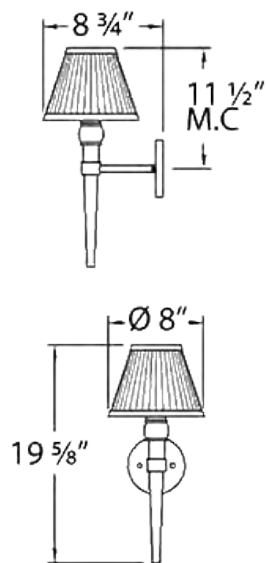
(1)  **Medium** Base Socket, for LED A Style Bulb or Self-Ballasted CFL







# MODEL 3650-1



#### DIMENSIONS:

H: 19 5/8 " D: 8 3/4" W: 8 "

#### FINISH SHOWN:

PC Polished Chrome


#### SHADE MATERIAL SHOWN:


CD Ivory Shirred Mushroom Pleat

#### SHADE SIZE:

H: 6 " Dia: 8"

#### LAMPING:

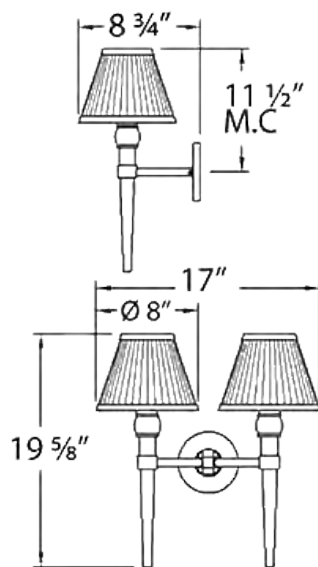
(1)  **B60** 60 Watt Medium Base Torpedo

(1)  **GU24** Base Socket, for LED A Style Bulb  
or Self-Ballasted CFL





# MODEL 3650-2



#### DIMENSIONS:

H: 19 5/8" D: 8 3/4" W: 17"

#### FINISH SHOWN:

**PC** Polished Chrome

**PB** Polished Brass


#### SHADE MATERIAL SHOWN:


CD Ivory Shirred Mushroom Pleat

#### SHADE SIZE:

H: 6" Dia: 8"

#### LAMPING:

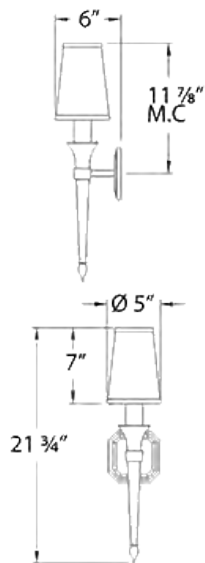
(2)  **B60** 60 Watt Medium Base Torpedo

(2)  **GU24** Base Socket, for LED A Style Bulb  
or Self-Ballasted CFL





# MODEL 3651-1



#### DIMENSIONS:

H: 21 3/4 " D: 6" W: 6"

#### FINISH SHOWN:

PC Polished Chrome


#### SHADE MATERIAL SHOWN:


CD Ivory Shirred Mushroom Pleat

#### SHADE SIZE:

H: 7" D: 6" W: 6"

#### LAMPING:

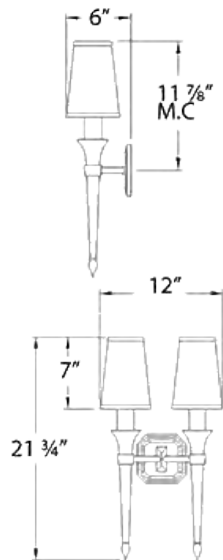
(1)  **B60** 60 Watt Medium Base Torpedo

(1)  **GU24** Base Socket, for LED A Style Bulb  
or Self-Ballasted CFL





## MODEL 3651-2



#### DIMENSIONS:

H: 21 3/8" D: 6" W: 12"

#### FINISH SHOWN:

**PC** Polished Chrome

**SN** Satin Nickel


#### SHADE MATERIAL SHOWN:


CD Ivory Shirred Mushroom Pleat

#### SHADE SIZE:

H: 7" Dia: 5"

#### LAMPING:

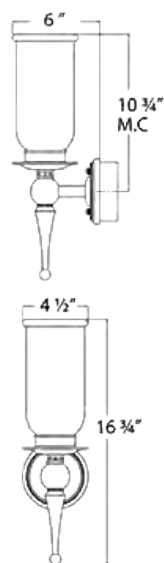
(2)  **B60** 60 Watt Medium Base Torpedo

(2)  **GU24** Base Socket, for LED A Style Bulb  
or Self-Ballasted CFL





# MODEL 3666



#### DIMENSIONS:

H: 16 3/4" D: 6" W: 4 1/2"

#### FINISH SHOWN:

**PC** Polished Chrome

#### ALSO AVAILABLE IN:

**ORBZ** Oil Rubbed Bronze


**PB** Polished Brass


**SN** Satin Nickel

#### SHADE MATERIAL SHOWN:

Opal Matte Glass

#### LAMPING:

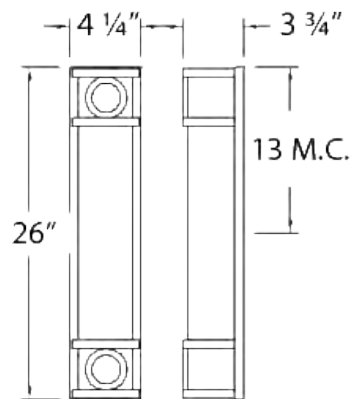
(1)  **GU24** Base Socket, for LED A Style Bulb or Self-Ballasted CFL

(1)  **Medium** Base Socket, for LED A Style Bulb or Self-Ballasted CFL





# MODEL 3668-26



#### DIMENSIONS:

H: 26" D: 3 3/4" W: 4 1/4"

#### FINISH SHOWN:

**SC** Satin Chrome

#### ALSO AVAILABLE IN:

**PB** Polished Brass


**PC** Polished Chrome

**SN** Satin Nickel

#### SHADE MATERIAL SHOWN:

Frosted Ribbed Acrylic

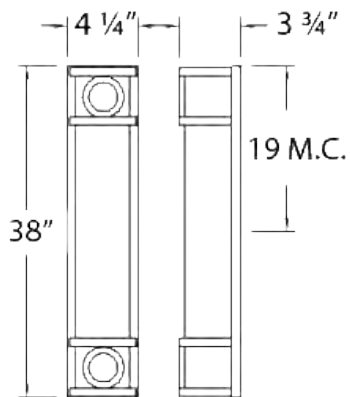
#### LAMPING:

(2)  **17T8** 17 Watt Bi-Pin T-8





# MODEL 3668-38



#### DIMENSIONS:

H: 38" D: 3 3/4" W: 4 1/4"

#### FINISH SHOWN:

**SC** Satin Chrome

#### ALSO AVAILABLE IN:

**PB** Polished Brass


**PC** Polished Chrome

**SN** Satin Nickel

#### SHADE MATERIAL SHOWN:

Frosted Ribbed Acrylic

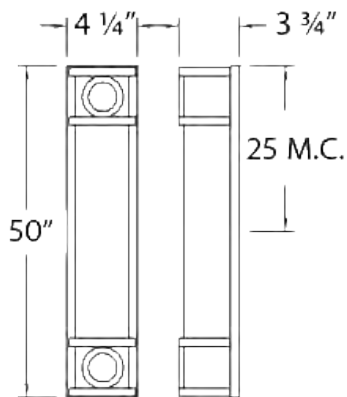
#### LAMPING:

(2)  **25T8** 25 Watt Bi-Pin T-8





# MODEL 3668-50



**DIMENSIONS:**

H: 50" D: 3 3/4" W: 4 1/4"

**FINISH SHOWN:**

**SC** Satin Chrome

**ALSO AVAILABLE IN:**

**PB** Polished Brass


**PC** Polished Chrome

**SN** Satin Nickel

**SHADE MATERIAL SHOWN:**

Frosted Ribbed Acrylic

**LAMPING:**

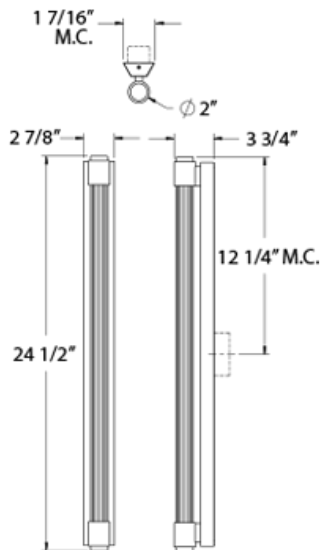
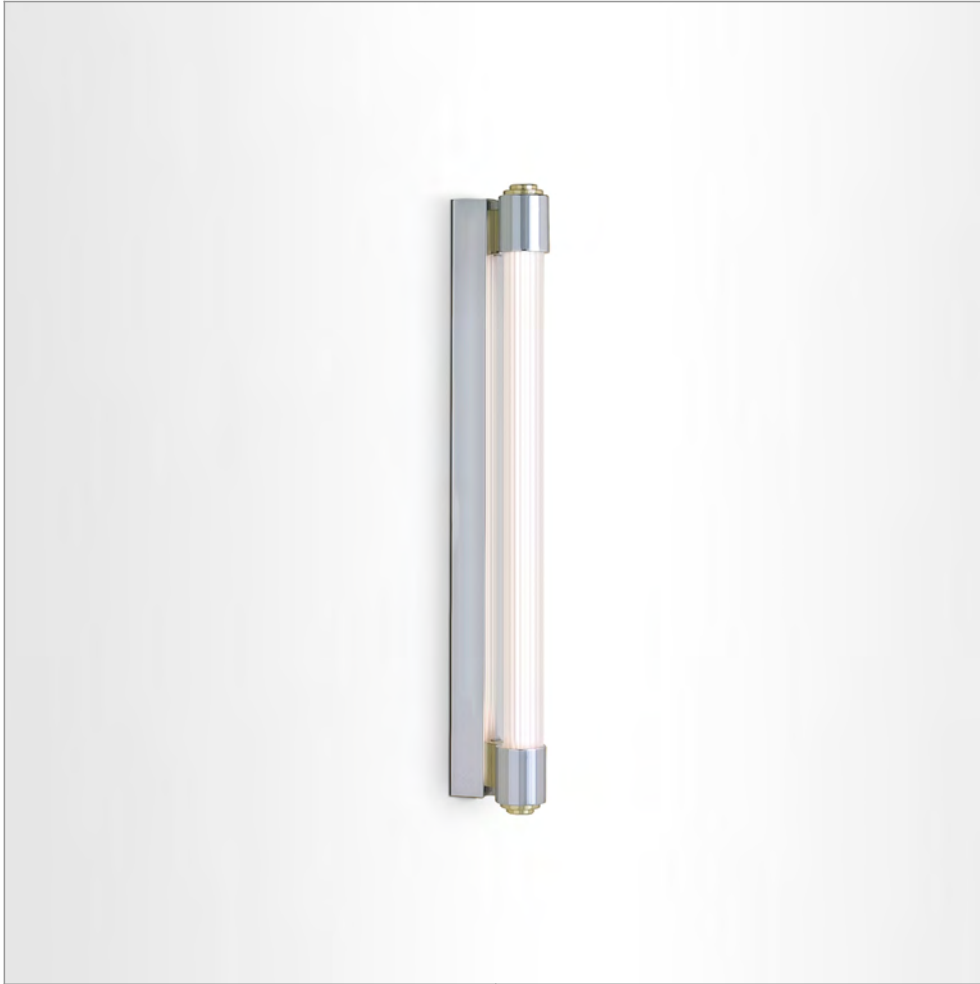
(2)  **32T8** 32 Watt Bi-Pin T-8







# MODEL 3690-24



#### DIMENSIONS:

H: 24 1/2" D: 3 5/8" W: 2 7/8"

#### FINISH SHOWN:

**PC** Polished Chrome

#### ALSO AVAILABLE IN:

**BCH** Brushed Chrome

**BN** Brushed Nickel

**PB** Polished Brass

**PN** Polished Nickel

#### SHADE MATERIAL SHOWN:

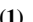
Frosted Ribbed Glass

#### ADDITIONAL NOTES:

Requires 2" x 4" Junction Box

Fixture can be mounted Horizontally or Vertically

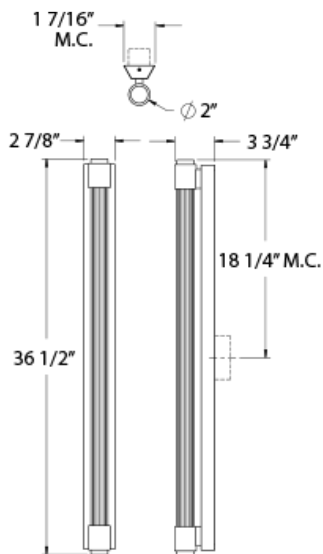
#### LAMPING:

(1)  **FP24** 24 Watt Mini Bi-Pin, T-5 High Output or 12 Watt T5 LED





# MODEL 3690-36



#### DIMENSIONS:

H: 36 1/2" D: 3 5/8" W: 2 7/8"

#### FINISH SHOWN:

**PC** Polished Chrome

#### ALSO AVAILABLE IN:

**BCH** Brushed Chrome

**BN** Brushed Nickel

**PB** Polished Brass

**PN** Polished Nickel

#### SHADE MATERIAL SHOWN:


Frosted Ribbed Glass

#### ADDITIONAL NOTES:

Requires 2" x 4" Junction Box

Fixture can be mounted Horizontally or Vertically

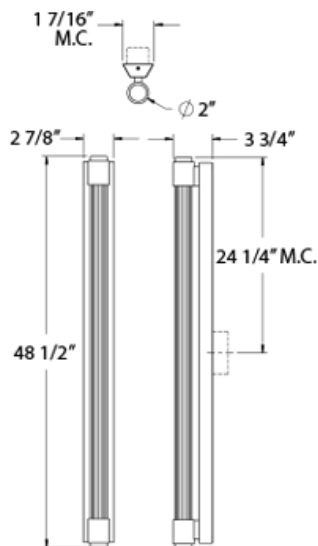
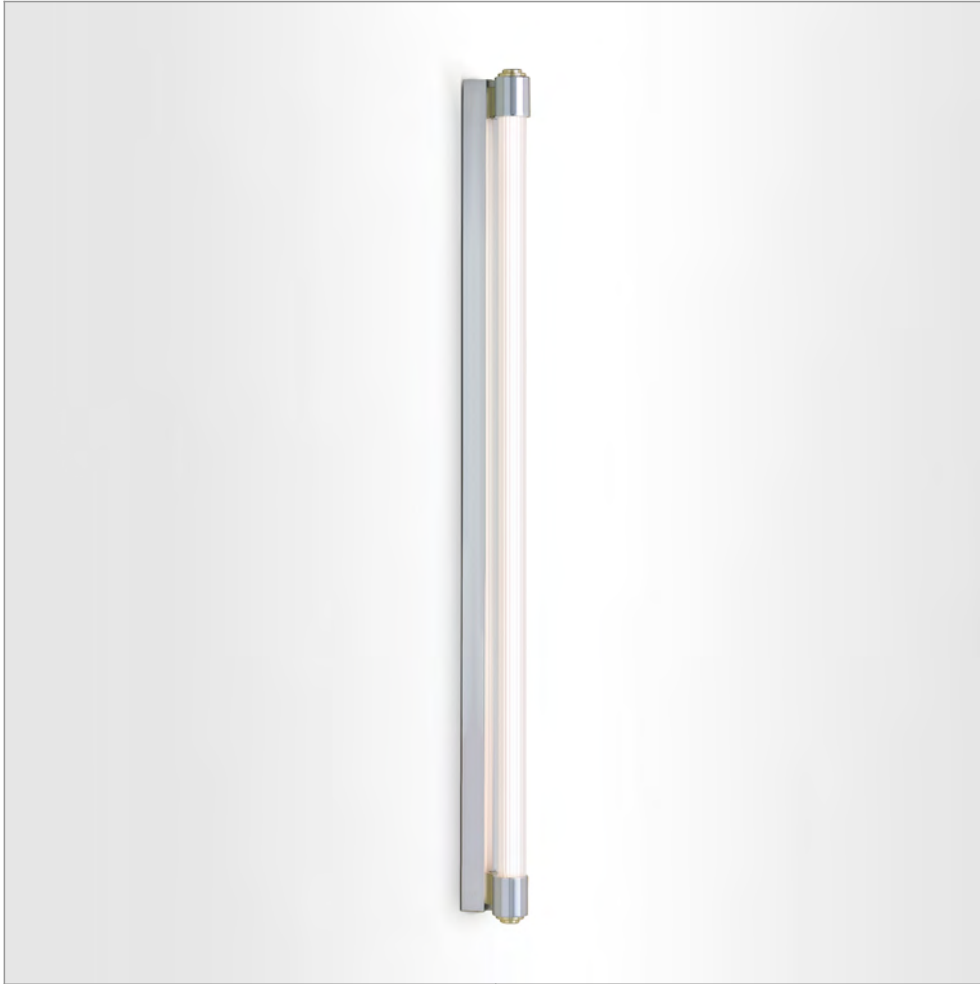
#### LAMPING:

(1)  **FP39** 39 Watt Mini Bi-Pin, T-5 High Output or 18 Watt T5 LED





# MODEL 3690-48



#### DIMENSIONS:

H: 48 1/2" D: 3 5/8" W: 2 7/8"

#### FINISH SHOWN:

**PC** Polished Chrome

#### ALSO AVAILABLE IN:

**BCH** Brushed Chrome

**BN** Brushed Nickel

**PB** Polished Brass

**PN** Polished Nickel

#### SHADE MATERIAL SHOWN:


Frosted Ribbed Glass

#### ADDITIONAL NOTES:

Requires 2" x 4" Junction Box

Fixture can be mounted Horizontally or Vertically

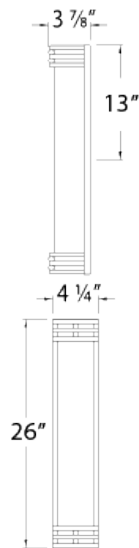
#### LAMPING:

(1)  **FP54** 54 Watt Mini Bi-Pin, T-5 High Output or 24 Watt T5 LED





# MODEL 3702-26



#### DIMENSIONS:

H: 26" D: 3 7/8" W: 4 1/4"

#### FINISH SHOWN:

**BCH** Brushed Chrome

#### ALSO AVAILABLE IN:


**PC** Polished Chrome


**PB** Polished Brass

#### SHADE MATERIAL SHOWN:

Frosted Ribbed Acrylic

#### LAMPING:

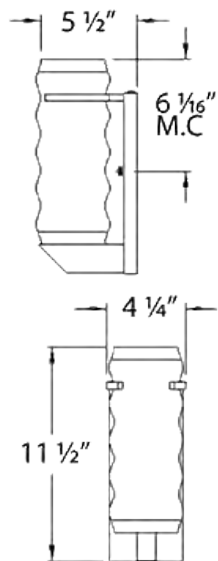
(2)  **17T8** 17 Watt Bi-Pin T-8

(1)  **17T8** 17 Watt Bi-Pin T-8





# MODEL 3736



#### DIMENSIONS:

H: 11 1/2" D: 5 1/2" W: 4 1/4"


#### FINISH SHOWN:


PC Polished Chrome

#### SHADE MATERIAL SHOWN:

Opal Matte Glass with Clear Edge

#### LAMPING:

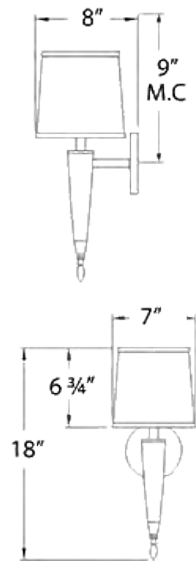
(1)  **GU24** Base Socket, for LED A Style Bulb or Self-Ballasted CFL

(1)  **Medium** Base Socket, for LED A Style Bulb or Self-Ballasted CFL





# MODEL 3763



#### DIMENSIONS:

H: 18 " D: 8 " W: 7 "

#### FINISH SHOWN:

**PC** Polished Chrome  
Medium Cherry Wood



#### SHADE MATERIAL SHOWN:

Troy Cream Linen

#### SHADE SIZE:

H: 6 3/4 " D: 8 " W: 7 "

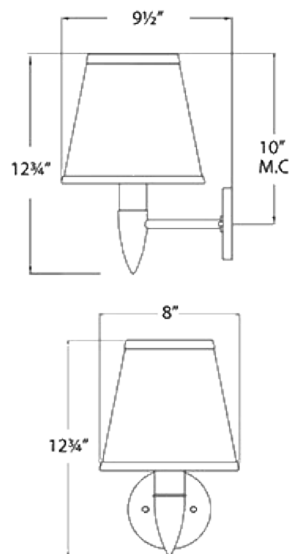
#### LAMPING:

- (1)  **GU24** Base Socket, for LED A Style Bulb or Self-Ballasted CFL
- (1)  **Medium** Base Socket, for LED A Style Bulb or Self-Ballasted CFL





# MODEL 3765



#### DIMENSIONS:

H: 12 3/4 " D: 9 1/2 " W: 8"

#### FINISH SHOWN:

**PC** Polished Chrome


#### SHADE MATERIAL SHOWN:


CD Ivory Linen

#### SHADE SIZE:

H: 7 3/4 " D: 9 1/2 " W: 8"

#### LAMPING:

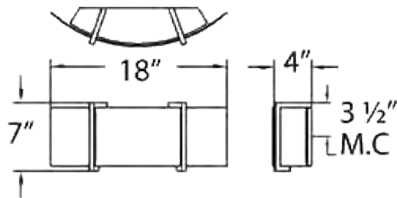
(1)  **GU24** Base Socket, for LED A Style Bulb or Self-Ballasted CFL

(1)  **N60** 60 Watt A-19 Incandescent





# MODEL 3780



#### DIMENSIONS:

H: 7" D: 4" W: 18"

#### FINISH SHOWN:

**SA** Satin Aluminum

#### ALSO AVAILABLE IN:


**PC** Polished Chrome


**SN** Satin Nickel


#### SHADE MATERIAL SHOWN:


Linen Acrylic

#### LAMPING:

(2)  **GU24** Base Socket, for LED A Style Bulb or Self-Ballasted CFL

(2)  **C13E** 13 Watt Quad Tube Compact Fluorescent 4 Pin Electronic, G24Q-1 Base

(2)  **C18E** 18 Watt Quad Tube Compact Fluorescent 4 Pin Electronic, G24Q-2 Base

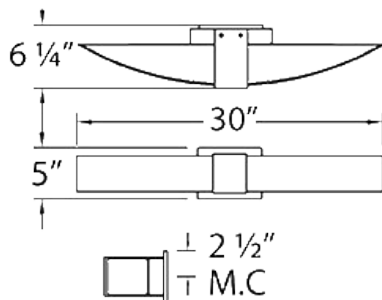
 **L9-27K** 9 Watts, 2700K LED







# MODEL 3783-30



#### DIMENSIONS:

H: 5" D: 6 1/4" W: 30"

#### FINISH SHOWN:

**PC** Polished Chrome

#### ALSO AVAILABLE IN:

**OBZ** Oxidized Bronze

**PB** Polished Brass

**PN** Polished Nickel

**SA** Satin Aluminum

**SC** Satin Chrome

**SN** Satin Nickel

#### SHADE MATERIAL SHOWN:

Opal Matte Acrylic

#### LAMPING:

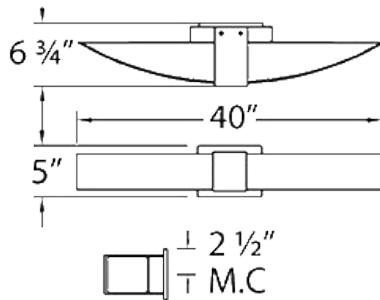
(2)  **CF18** 18 Watt Biax Compact Fluorescent

Electronic 2G11 Base





# MODEL 3783-40



#### DIMENSIONS:

H: 5" D: 6 3/4" W: 40"

#### FINISH SHOWN:

**PC** Polished Chrome

#### ALSO AVAILABLE IN:

**OBZ** Oxidized Bronze

**PB** Polished Brass

**PN** Polished Nickel

**SA** Satin Aluminum


**SC** Satin Chrome

**SN** Satin Nickel

#### SHADE MATERIAL SHOWN:

Opal Matte Acrylic

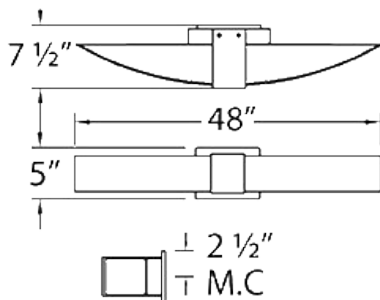
#### LAMPING:

(2)  **CF27** 27 Watt Biax Compact Fluorescent  
Electronic, 2G11 Base





# MODEL 3783-48



#### DIMENSIONS:

H: 5" D: 7 1/2" W: 48"

#### FINISH SHOWN:

**PC** Polished Chrome

#### ALSO AVAILABLE IN:

**OBZ** Oxidized Bronze

**PB** Polished Brass

**PN** Polished Nickel

**SA** Satin Aluminum


**SC** Satin Chrome

**SN** Satin Nickel

#### SHADE MATERIAL SHOWN:

Opal Matte Acrylic

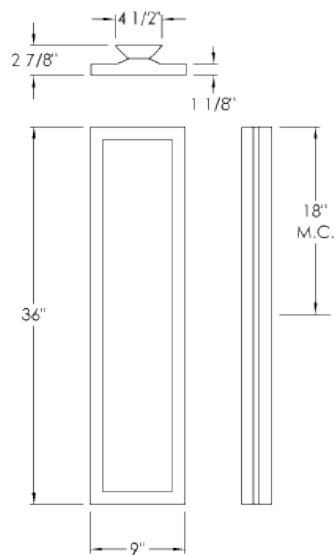
#### LAMPING:

(2)  **CF39** 39 Watt Biax Compact Fluorescent 4  
Pin Electronic, 2G11 Base





# MODEL 3788



#### DIMENSIONS:

H: 36" D: 2 7/8" W: 9"


#### FINISH SHOWN:

**SA** Satin Aluminum

#### SHADE MATERIAL SHOWN:

Birch Twig Acrylic

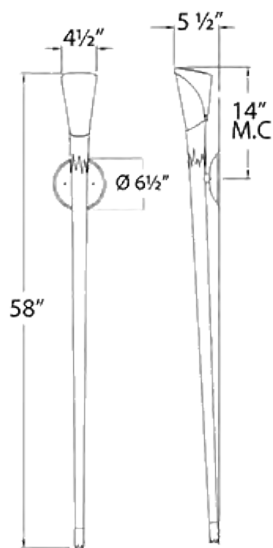
#### LAMPING:

(2)  **21T5** 21 Watt Mini Bi-Pin, T-5





# MODEL 3798



#### DIMENSIONS:

H: 58" D: 5 1/2 " W: 6 1/2 "


#### FINISH SHOWN:


**BZ** Bronze

#### SHADE MATERIAL SHOWN:

Frosted Glass

#### LAMPING:

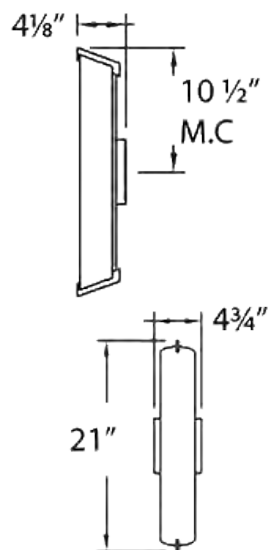
(1)  **T60** 60 Watt T-10 Incandescent

(1)  **GU24** Base Socket, for LED T Style Bulb  
or 13 Watt Quad CFL





# MODEL 3799



#### DIMENSIONS:

H: 21" D: 4 1/8" W: 4 3/4 "

#### FINISH SHOWN:

**PC** Polished Chrome


#### ALSO AVAILABLE IN:

**SC** Satin Chrome

#### SHADE MATERIAL SHOWN:

Opal Matte Acrylic

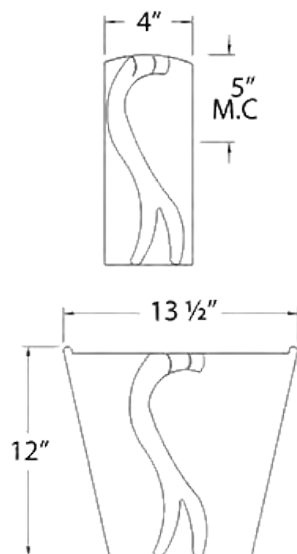
#### LAMPING:

(1)  **CF18** 18 Watt Biax Compact Fluorescent  
Electronic 2G11 Base





# MODEL 3803



#### DIMENSIONS:

H: 12" D: 4" W: 13 1/2"


#### FINISH SHOWN:


SA Satin Aluminum

#### SHADE MATERIAL SHOWN:

Hand Formed Piastra Glass

#### LAMPING:

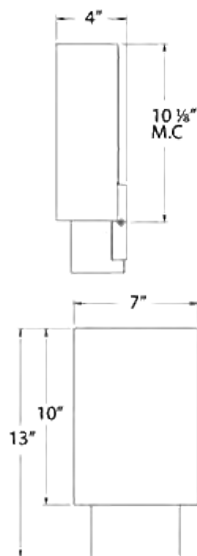
(2)  **GU24** Base Socket, for LED T Style Bulb  
or 13 Watt Quad CFL

(2)  **T60** 60 Watt T-10 Incandescent





# MODEL 3811



#### DIMENSIONS:

H: 13" D: 4" W: 7"


#### FINISH SHOWN:


Medium Stained Wood

#### SHADE MATERIAL SHOWN:

Opal Matte Acrylic

#### LAMPING:

(1)  **GU24** Base Socket, for LED A Style Bulb  
or Self-Ballasted CFL

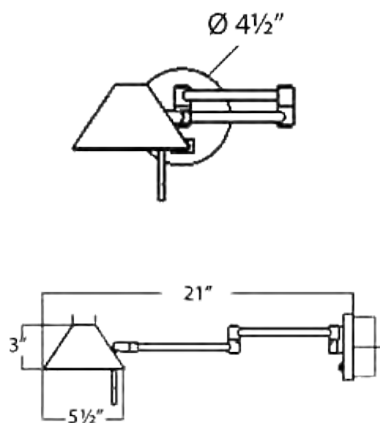
 **L9-30K** 9 Watts, 3000K LED







# MODEL 3824



**DIMENSIONS:**

H: 3" D: 21" W: 5 1/2 "

**FINISH SHOWN:**

**SBZ** Satin Bronze

**ALSO AVAILABLE IN:**

**SC** Satin Chrome


**SHADE MATERIAL SHOWN:**

Clear Acrylic

**SWITCH:**

On/Off Rocker Switch at Backplate

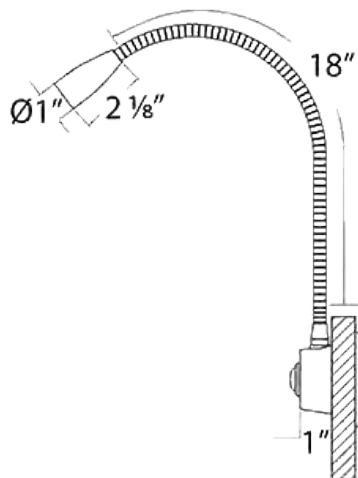
**LAMPING:**

 **L7-30K** 7 Watts, 3000K LED





# MODEL 3834



#### DIMENSIONS:

H: 18" D: 1" W: 1"

#### FINISH SHOWN:

SN Satin Nickel


#### SWITCH:

On/Off Rocker Switch at Backplate

#### ADDITIONAL NOTES:

Pin-up Mount with Plug-in Driver

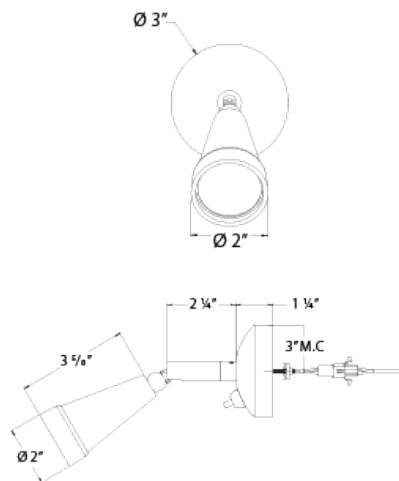
#### LAMPING:

 **L2-30K** 2 Watts, 3000K LED





# MODEL 3840



**DIMENSIONS:**

H: 3" D: 8" W: 3"


**FINISH SHOWN:**

**SN** Satin Nickel

**SWITCH:**

On/Off Push Button

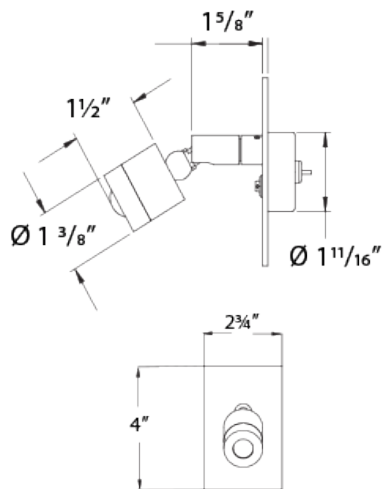
**LAMPING:**

 **L2-30K** 2 Watts, 3000K LED





# MODEL 3846



#### DIMENSIONS:

H: 4" D: 3" W: 2 3/4"


#### FINISH SHOWN:

**BN** Brushed Nickel

#### SWITCH:

On/Off Micro Rocker Switch

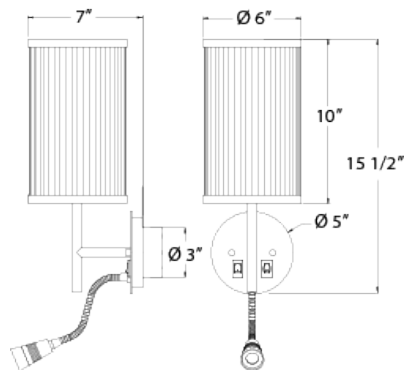
#### LAMPING:

 **L2-30K** 2 Watts, 3000K LED





# MODEL 3849



#### DIMENSIONS:

H: 15 1/2" D: 7" W: 6"

#### FINISH SHOWN:

PC Polished Chrome

#### SHADE MATERIAL SHOWN:

Canvas White Linen


#### SHADE SIZE:


H: 10" Dia: 6"


#### SWITCH:

2 On/Off Rocker Switches

#### LAMPING:

(1)  **Medium** Base Socket, for LED A Style Bulb or Self-Ballasted CFL

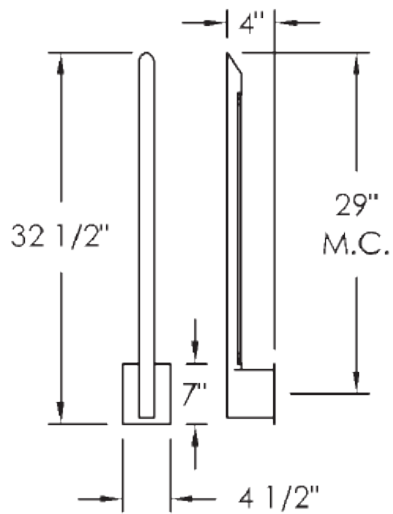
(1)  **GU24** Base Socket, for LED A Style Bulb or Self-Ballasted CFL

 **L3-30K** 3 Watts, 3000K LED





# MODEL 3851



**DIMENSIONS:**

H: 32 1/2" D: 4" W: 4 1/2"

**FINISH SHOWN:**

**SA** Satin Aluminum


**ALSO AVAILABLE IN:**

**OBZ** Oxidized Bronze

**PC** Polished Chrome

**SN** Satin Nickel

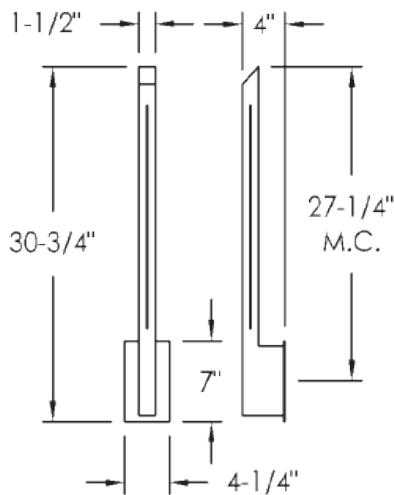
**LAMPING:**

**(1)**  **14T5** 14 Watt Mini Bi-Pin, T-5 or LED equivalent





# MODEL 3852



#### DIMENSIONS:

H: 30 3/4" D: 4" W: 4 1/4"

#### FINISH SHOWN:

**SA** Satin Aluminum

#### ALSO AVAILABLE IN:

**OBZ** Oxidized Bronze


**PC** Polished Chrome

**SN** Satin Nickel

#### SHADE MATERIAL SHOWN:

Opal Matte Acrylic

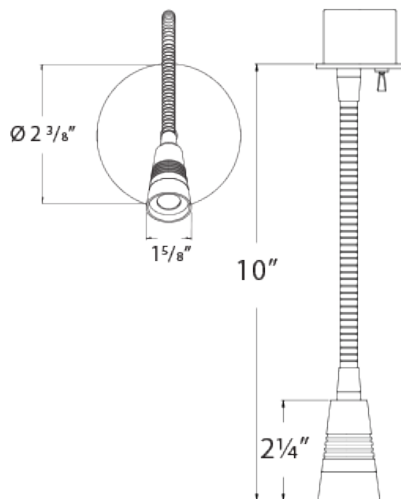
#### LAMPING:

(1)  **14T5** 14 Watt Mini Bi-Pin, T-5 or LED equivalent





# MODEL 3857



**DIMENSIONS:**

H: 2 3/8" D: 10" W: 2 3/8"


**FINISH SHOWN:**

**PC Polished Chrome**

**SWITCH:**

On/Off Rocker Switch

**LAMPING:**

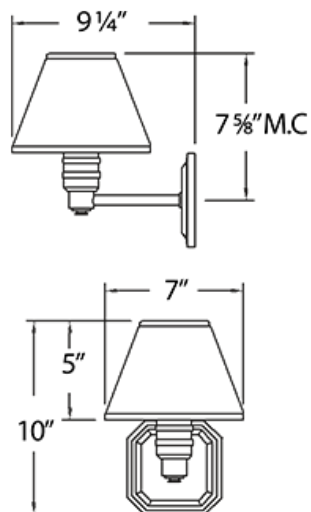
 **L3-27K 3 Watts, 2700K LED**







# MODEL 3863



#### DIMENSIONS:

H: 10" D: 9 1/4" W: 7"

#### FINISH SHOWN:

**PC** Polished Chrome

#### ALSO AVAILABLE IN:

**SC** Satin Chrome

**SN** Satin Nickel

**PB** Polished Brass


#### SHADE MATERIAL SHOWN:


Opal Matte Glass

#### SHADE SIZE:

H: 5" Dia: 7"

#### LAMPING:

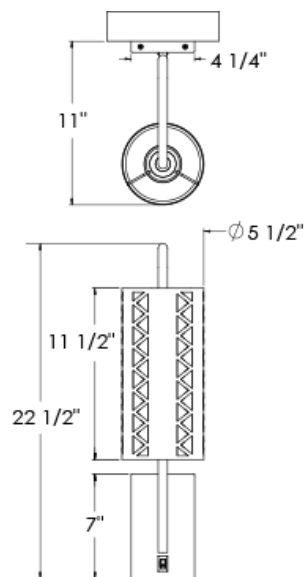
(1)  **Medium** Base Socket, for LED A Style Bulb or Self-Ballasted CFL

(1)  **GU24** Base Socket, for LED A Style Bulb or Self-Ballasted CFL





# MODEL 3869



#### DIMENSIONS:

H: 22 1/2" D: 11" W: 5 1/2"

#### FINISH SHOWN:

**PDMB** Powder Coated Matte Black


#### SHADE MATERIAL SHOWN:

Metal with an Opal Matte Acrylic Backing and Bottom Diffuser

#### SWITCH:

On/Off Rocker Switch

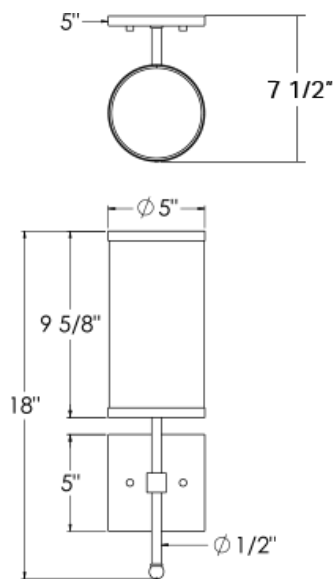
#### LAMPING:

(1)  **Medium** Base Socket, for LED A Style Bulb or Self-Ballasted CFL





# MODEL 3871



#### DIMENSIONS:

H: 18" D: 7 1/2" W: 5"

#### FINISH SHOWN:

SN Satin Nickel


#### SHADE MATERIAL SHOWN:

Ivory Linen

#### SHADE SIZE:

H: 9 5/8" Dia: 5"

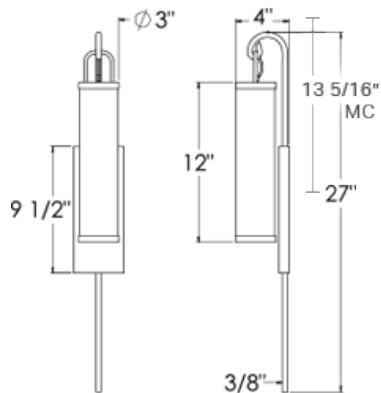
#### LAMPING:

(1)  GU24 Base Socket, for LED A Style Bulb  
or Self-Ballasted CFL





# MODEL 3873



#### DIMENSIONS:

H: 27" D: 4" W: 3"

#### FINISH SHOWN:

**AGB** Aged Brass

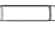
#### SHADE MATERIAL SHOWN:

Ivory Linen

#### SHADE SIZE:

H: 12" Dia: 3"

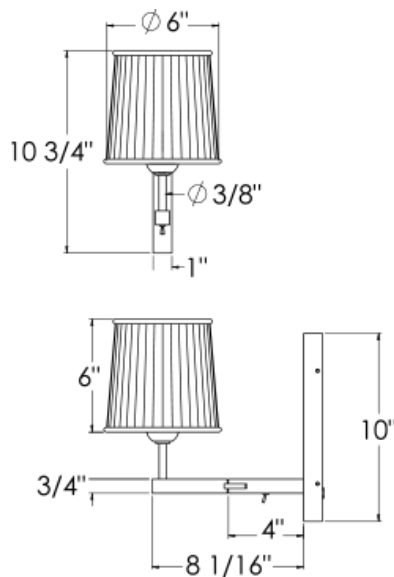
#### LAMPING:

(1)  **GU24** Base Socket, for 8W LED T Style Bulb





# MODEL 3874



#### DIMENSIONS:

H: 10 3/4" D: 11 5/8" W: 6"

#### FINISH SHOWN:

Powder Coated Flat Black

#### SHADE MATERIAL SHOWN:

White Pleated Silk with White Interior

#### ALSO AVAILABLE IN:

Black Pleated Silk with Rose Gold Interior


#### SHADE SIZE:

H: 6" Dia: 6"

#### SWITCH:

On/Off Switch

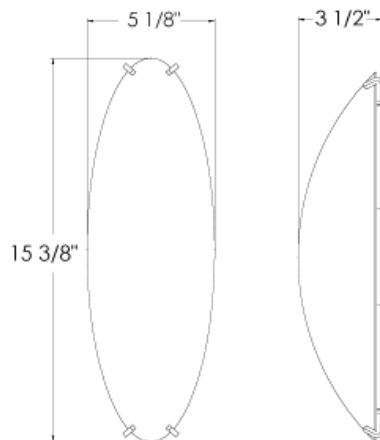
#### LAMPING:

(1)  **Medium** Base Socket, for LED A Style Bulb or Self-Ballasted CFL





# MODEL 3888



#### DIMENSIONS:

H: 15 1/8" D: 3 1/2" W: 5 1/8"

#### FINISH SHOWN:

**PC** Polished Chrome

#### ALSO AVAILABLE IN:


**SDB** Standard Bronze


**SN** Satin Nickel


#### SHADE MATERIAL SHOWN:

Opal Matte Glass

#### LAMPING:

(1)  **Medium** Base Socket, for LED A Style Bulb or Self-Ballasted CFL

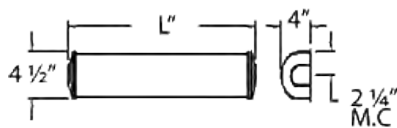
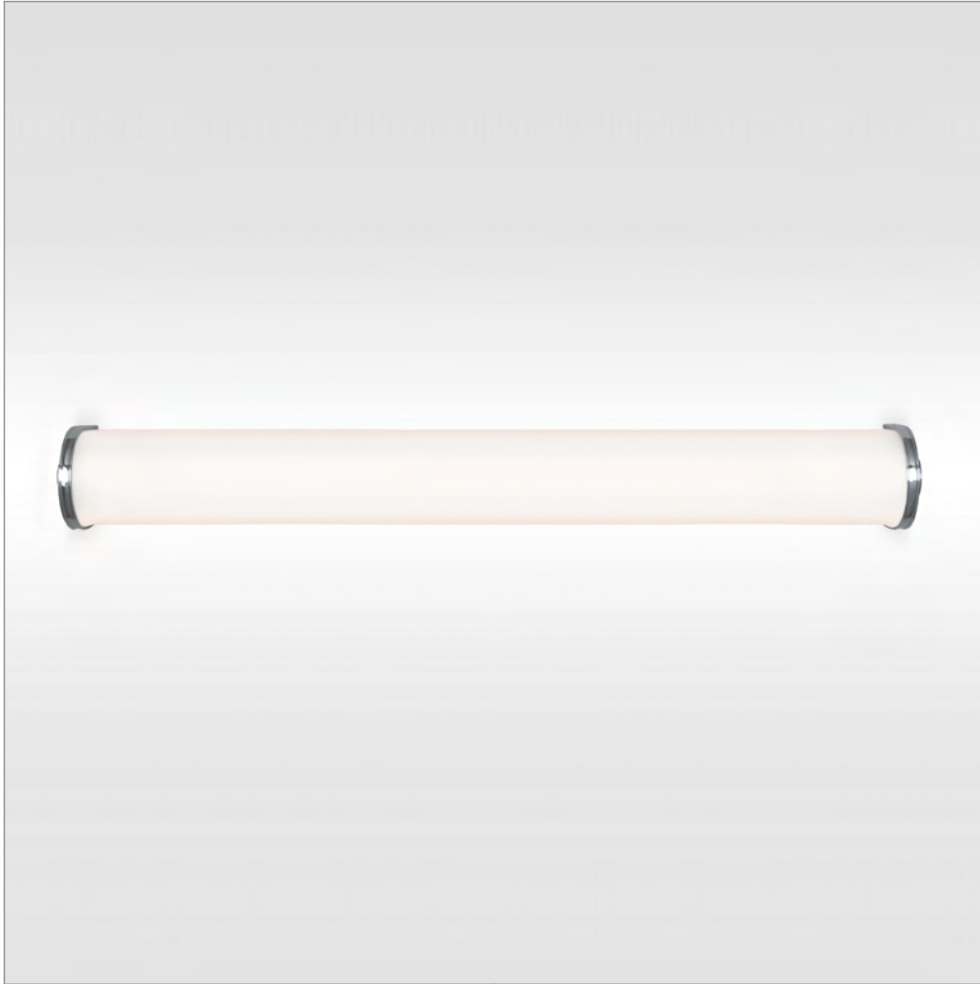
(2)  **C13E** 13 Watt Quad Tube Compact Fluorescent 4 Pin Electronic, G24Q-1 Base

(1)  **GU24** Base Socket, for LED A Style Bulb or Self-Ballasted CFL





# MODEL 3906



**DIMENSIONS:**

H: 4 1/2 " D: 4 " W: 26 "

**FINISH SHOWN:**

**PC** Polished Chrome


**ALSO AVAILABLE IN:**

**SC** Satin Chrome

**SHADE MATERIAL SHOWN:**

Opal Matte Acrylic

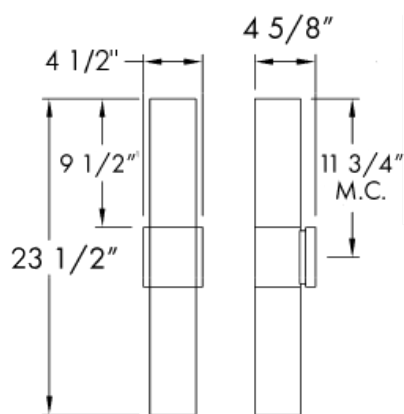
**LAMPING:**

(1)  **FP24** 24 Watt Mini Bi-Pin, T-5 High Output or 12 Watt T5 LED





# MODEL 3914



#### DIMENSIONS:

H: 23 1/2" D: 4 5/8" W: 4 1/2"


#### FINISH SHOWN:


PC Polished Chrome

#### SHADE MATERIAL SHOWN:

Opal Matte Glass

#### LAMPING:

(2)  **GU24** Base Socket, for LED T Style Bulb  
or 13 Watt Quad CFL

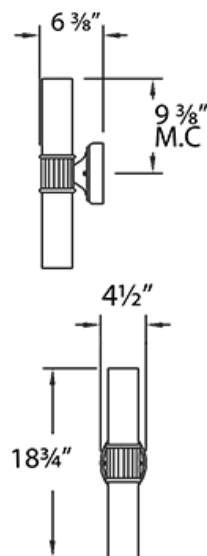
(2)  **T60** 60 Watt T-10 Incandescent







# MODEL 3915



#### DIMENSIONS:

H: 18 3/4" D: 6 3/8" W: 4 1/2"

#### FINISH SHOWN:

**PC** Polished Chrome

#### ALSO AVAILABLE IN:

**OBZ** Oxidized Bronze

**PB** Polished Brass


**PC** Polished Chrome

**PN** Polished Nickel


#### SHADE MATERIAL SHOWN:

Opal Matte Acrylic

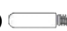
#### LAMPING:

(2)  **C13E** 13 Watt Quad Tube Compact

Fluorescent 4 Pin Electronic, G24Q-1 Base

(2)  **C26E** 26 Watt Quad Tube Compact

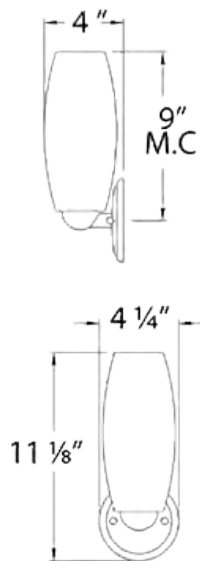
Fluorescent 4 Pin Electronic, G24Q-3 Base

(2)  **T60** 60 Watt T-10 Incandescent





# MODEL 3918



#### DIMENSIONS:

H: 11 1/8 " D: 4" W: 4 1/2 "


#### FINISH SHOWN:

**PC** Polished Chrome

#### SHADE MATERIAL SHOWN:

Opal Matte Glass

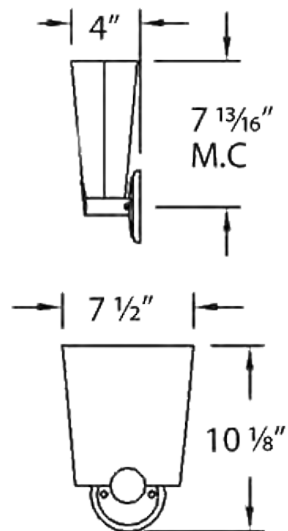
#### LAMPING:

(1)  **GU24** Base Socket, for LED T Style Bulb  
or 13 Watt Quad CFL





# MODEL 3924



#### DIMENSIONS:

H: 10 1/8" D: 4" W: 7 1/2"

#### FINISH SHOWN:

**PC** Polished Chrome

#### ALSO AVAILABLE IN:

**PB** Polished Brass


**SC** Satin Chrome


**SN** Satin Nickel

#### SHADE MATERIAL SHOWN:

Opal Matte Acrylic

#### LAMPING:

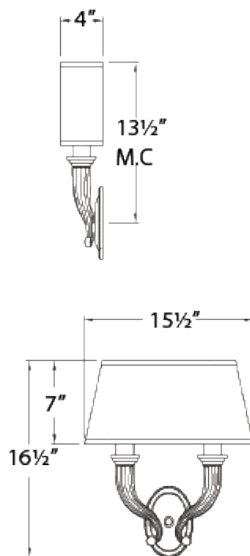
(2)  **Medium** Base Socket, for LED T Style Bulb or 13 Watt Quad CFL

(1)  **T60** 60 Watt T-10 Incandescent





# MODEL 3935



#### DIMENSIONS:

H: 16 1/2" D: 4" W: 15 1/2"

#### FINISH SHOWN:

**ORBZ** Oil Rubbed Bronze

#### ALSO AVAILABLE IN:

**BN** Brushed Nickel

**PB** Polished Brass

**PC** Polished Chrome

**PN** Polished Nickel


#### SHADE MATERIAL SHOWN:


CD Ivory Linen

#### SHADE SIZE:

H: 7" D: 4" W: 15 1/2"

#### LAMPING:

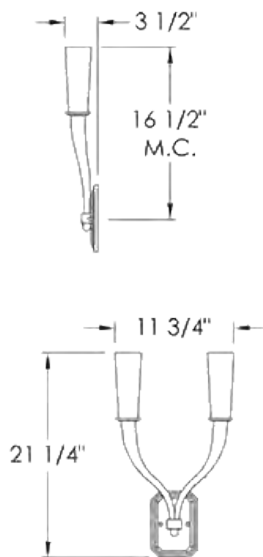
(2)  **Medium** Base Socket, for LED T Style Bulb or 13 Watt Quad CFL

(2)  **C13E** 13 Watt Quad Tube Compact Fluorescent 4 Pin Electronic, G24Q-1 Base





# MODEL 3936



**DIMENSIONS:**

H: 21 1/4" D: 3 1/2" W: 11 3/4"


**FINISH SHOWN:**

**PC Polished Chrome**

**SHADE MATERIAL SHOWN:**

Opal Matte Glass

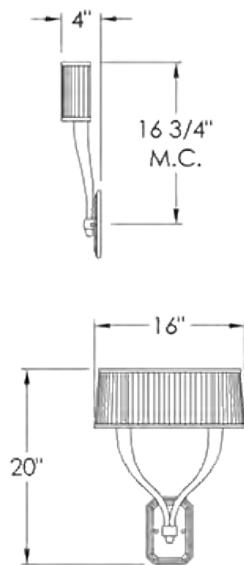
**LAMPING:**

(2)  E-12 Socket for Candelabra Base





# MODEL 3939



#### DIMENSIONS:

H: 20 " D: 4 " W: 16 "


#### FINISH SHOWN:


**PB** Polished Brass

#### SHADE MATERIAL SHOWN:

CD Ivory Linen

#### LAMPING:

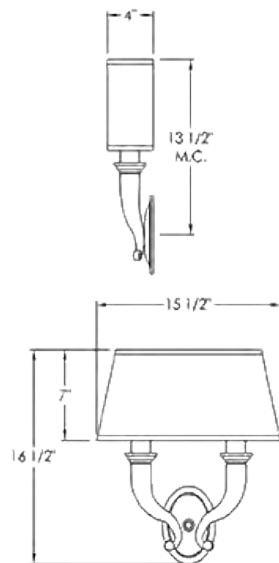
(2)  **B60** 60 Watt Medium Base Torpedo

(2)  **GU24** Base Socket, for LED A Style Bulb  
or Self-Ballasted CFL





# MODEL 3944



#### DIMENSIONS:

H: 16 1/2 " D: 4" W: 15 1/2 "

#### FINISH SHOWN:

**ORBZ** Oil Rubbed Bronze




#### SHADE MATERIAL SHOWN:

CD Ivory

#### SHADE SIZE:

H: 7 " D: 4" W: 15 1/2 "

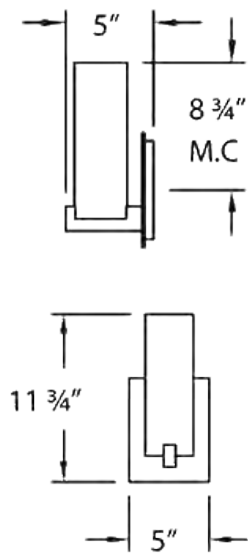
#### LAMPING:

- (2)  **C13E** 13 Watt Quad Tube Compact Fluorescent 4 Pin Electronic, G24Q-1 Base
- (2)  **GU24** Base Socket, for LED A Style Bulb or Self-Ballasted CFL
- (2)  **B60** 60 Watt Medium Base Torpedo





# MODEL 3960-1



#### DIMENSIONS:

H: 11 3/4" D: 5" W: 5"

#### FINISH SHOWN:

**BN** Brushed Nickel

#### ALSO AVAILABLE IN:

**PB** Polished Brass

**PC** Polished Chrome

**PN** Polished Nickel


**SN** Satin Nickel

#### SHADE MATERIAL SHOWN:

Opal Matte Acrylic

#### LAMPING:

(1)  **GU24** Base Socket, for 13 Watt Quad CFL

(1)  **GU24** Base Socket, for 5 Watt LED T

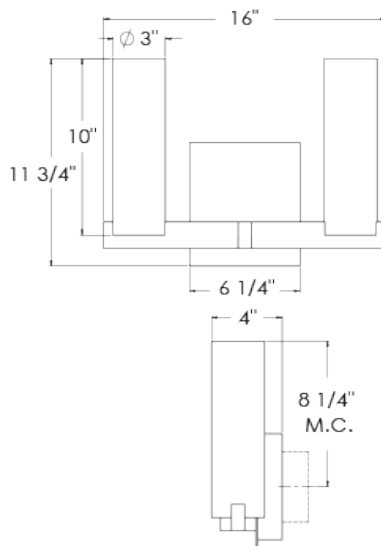
Lamp







# MODEL 3960-2



#### DIMENSIONS:

H: 11 3/4" D: 4" W: 16"

#### FINISH SHOWN:

**BN** Brushed Nickel

#### ALSO AVAILABLE IN:

**PB** Polished Brass

**PC** Polished Chrome

**PN** Polished Nickel


**SN** Satin Nickel

#### SHADE MATERIAL SHOWN:

Opal Matte Acrylic

#### LAMPING:

(2)  **GU24** Base Socket, for 13 Watt Quad CFL

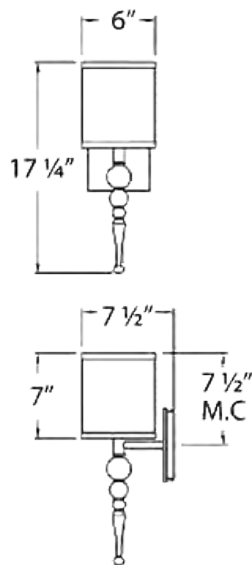
(2)  **GU24** Base Socket, for 5 Watt LED T

Lamp





# MODEL 3964



#### DIMENSIONS:

H: 17 1/4" D: 7 1/2" W: 6"

#### FINISH SHOWN:

**PC** Polished Chrome

**CB** Crystal Ball

#### ALSO AVAILABLE IN:

**SN** Satin Nickel


#### SHADE MATERIAL SHOWN:


White Silk

#### SHADE SIZE:

H: 7" Dia: 6"

#### LAMPING:

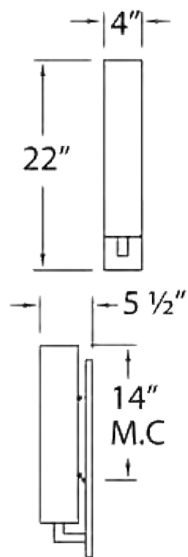
(1)  **GU24** Base Socket, for LED A Style Bulb or Self-Ballasted CFL

(1)  **Medium** Base Socket, for LED A Style Bulb or Self-Ballasted CFL





# MODEL 3983



#### DIMENSIONS:

H: 22" D: 5 1/2" W: 4"

#### FINISH SHOWN:

**SN** Satin Nickel

#### ALSO AVAILABLE IN:

**PB** Polished Brass

**PC** Polished Chrome


**SA** Satin Aluminum


**SN** Satin Nickel

#### SHADE MATERIAL SHOWN:

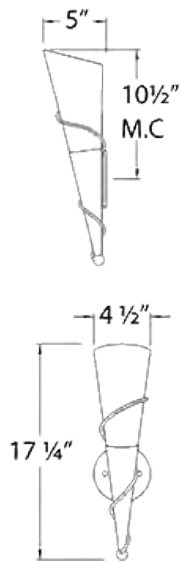
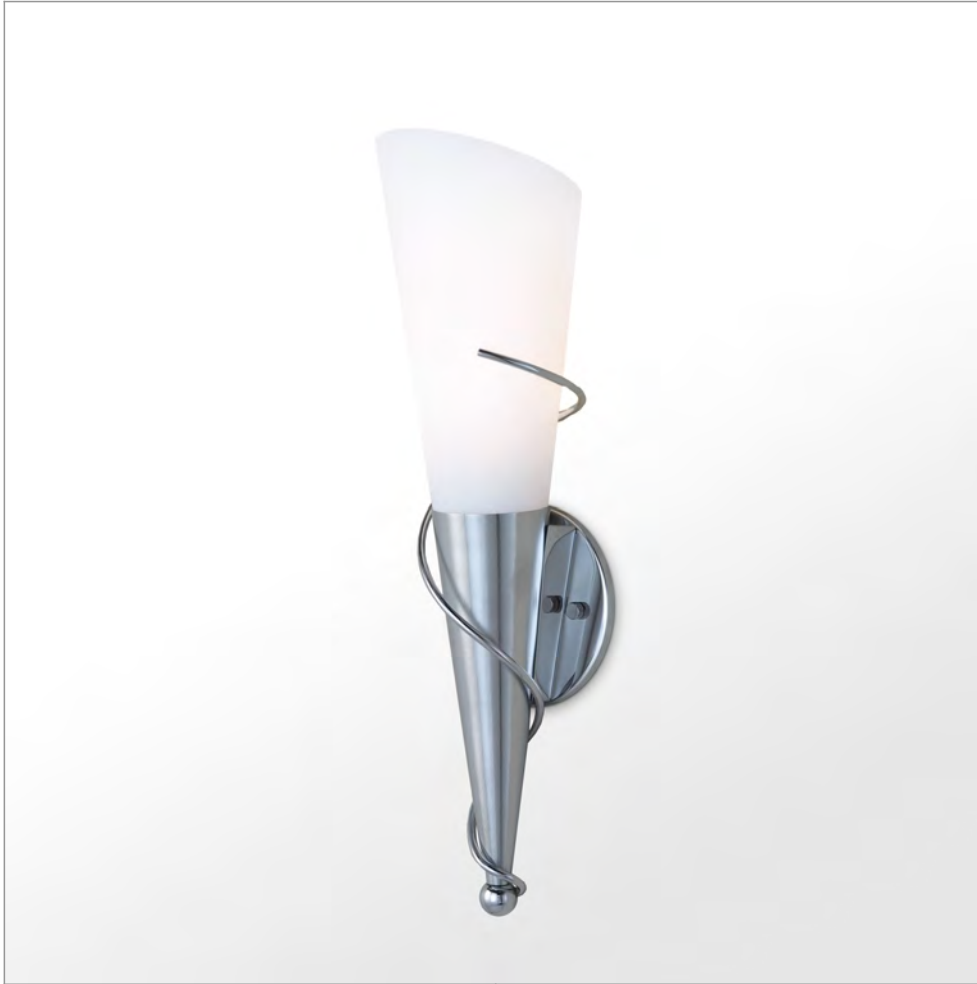
Opal Matte Glass

#### LAMPING:

(2)  **Medium** Base Socket, for LED A Style Bulb or Self-Ballasted CFL

(1)  **CF27** 27 Watt Biax Compact Fluorescent Electronic, 2G11 Base





**DIMENSIONS:**

H: 17 1/4" D: 5" W: 4 1/2"

**FINISH SHOWN:**


**PC** Polished Chrome


**BCH** Brushed Chrome

**SHADE MATERIAL SHOWN:**

Frosted Glass

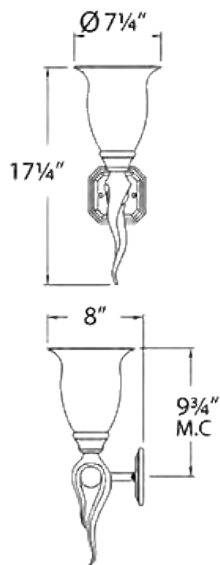
**LAMPING:**

(1)  **GU24** Base Socket, for LED A Style Bulb or Self-Ballasted CFL

(1)  **T60** 60 Watt T-10 Incandescent



# MODEL 3995



#### DIMENSIONS:

H: 17 1/4" D: 8" W: 7 1/4"


#### FINISH SHOWN:


**ORBZ** Oil Rubbed Bronze

#### SHADE MATERIAL SHOWN:

Opal Matte Glass

#### LAMPING:

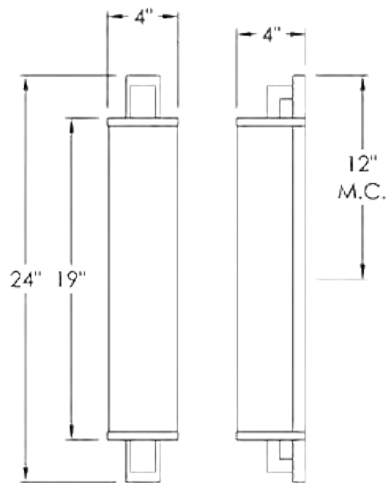
(1)  **GU24** Base Socket, for LED A Style Bulb or Self-Ballasted CFL

(1)  **N100** 100 Watt A-19 Incandescent





# MODEL 3997



**DIMENSIONS:**

H: 24" D: 4" W: 4"


**FINISH SHOWN:**

**BN** Brushed Nickel

**SHADE MATERIAL SHOWN:**

Linen Acrylic

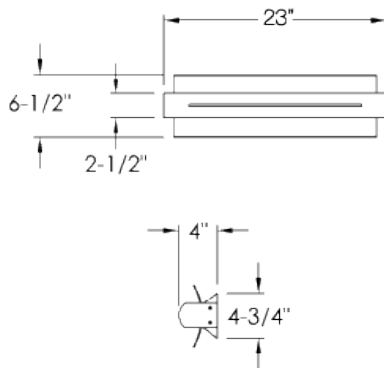
**LAMPING:**

(1)  **CF36** 36 Watt Biax Compact Fluorescent 4 Pin Electronic, 2G11 Base





# MODEL 6009-23



#### DIMENSIONS:

H: 6 1/2" D: 4" W: 23"

#### FINISH SHOWN:

**BA** Brushed Aluminum

#### ALSO AVAILABLE IN:

**SN** Satin Nickel

**SDB** Standard Bronze


#### SHADE MATERIAL SHOWN:

Opal Matte Acrylic

#### ADDITIONAL NOTES:

Fixture can be mounted Horizontally or Vertically

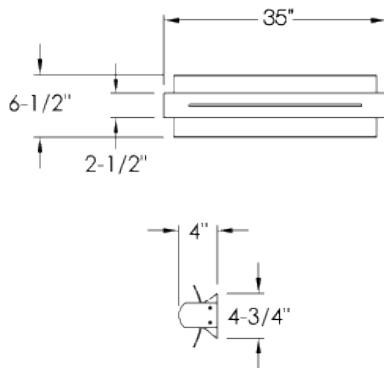
#### LAMPING:

(1)  **FP24** 24 Watt Mini Bi-Pin, T-5 High Output or 12 Watt T5 LED





# MODEL 6009-35



#### DIMENSIONS:

H: 6 1/2" D: 4" W: 35"

#### FINISH SHOWN:

**BA** Brushed Aluminum

#### ALSO AVAILABLE IN:

**SN** Satin Nickel

**SDB** Standard Bronze


#### SHADE MATERIAL SHOWN:

Opal Matte Acrylic

#### ADDITIONAL NOTES:

Fixture can be mounted Horizontally or Vertically

#### LAMPING:

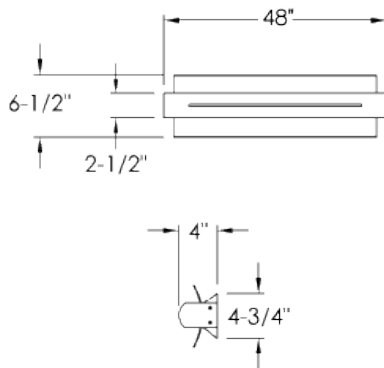
(1)  **FP39** 39 Watt Mini Bi-Pin, T-5 High Output or 18 Watt T5 LED







# MODEL 6009-48



#### DIMENSIONS:

H: 6 1/2" D: 4" W: 48"

#### FINISH SHOWN:

**BA** Brushed Aluminum

#### ALSO AVAILABLE IN:

**SN** Satin Nickel

**SDB** Standard Bronze


#### SHADE MATERIAL SHOWN:

Opal Matte Acrylic

#### ADDITIONAL NOTES:

Fixture can be mounted Horizontally or Vertically

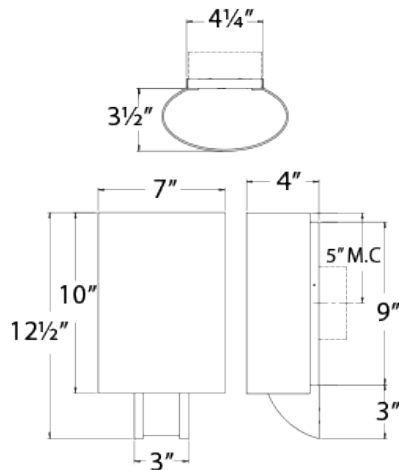
#### LAMPING:

(1)  **FP54** 54 Watt Mini Bi-Pin, T-5 High Output or 24 Watt T5 LED





# MODEL 6010



#### DIMENSIONS:

H: 12 1/2" D: 4" W: 7"


#### FINISH SHOWN:


SA Satin Aluminum


#### SHADE MATERIAL SHOWN:

Opal Matte Acrylic

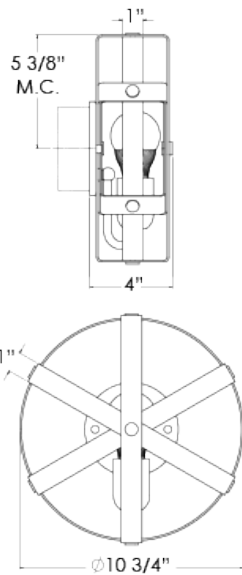
#### LAMPING:

(1)  **GU24** Base Socket, for LED A Style Bulb or Self-Ballasted CFL

(1)  **C26E** 26 Watt Quad Tube Compact Fluorescent 4 Pin Electronic, G24Q-3 Base

 **L9-30K** 9 Watts, 3000K LED






DIMENSIONS:

H: 10 3/4" D: 4" W: 10 3/4"

FINISH SHOWN:

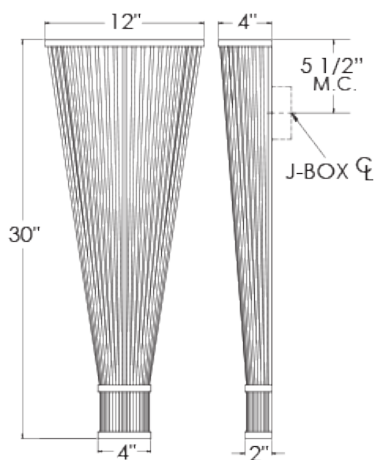
Powder Coated Gloss Black

LAMPING:

(1)  **Medium** Base Socket, for LED A Style  
Antique Bulb



# MODEL 6031-30



#### DIMENSIONS:

H: 30" D: 4" W: 12"

#### FINISH SHOWN:

**ANTB** Antique Brass


#### SHADE MATERIAL SHOWN:

Laura White Linen

#### LAMPING:

(1)  **CF27** 27 Watt Biax Compact Fluorescent

Electronic, 2G11 Base

 **L16-30K** 16 Watts, 3000K LED





# MODEL 6031



#### DIMENSIONS:

H: 17 1/2" D: 4" W: 10"

#### FINISH SHOWN:

**BZ** Bronze


#### SHADE MATERIAL SHOWN:

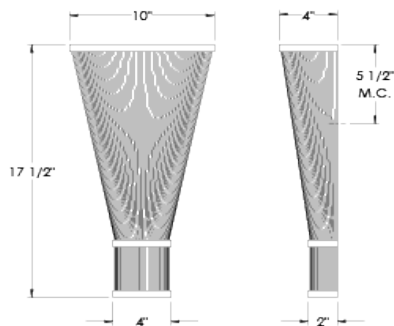
Laura White Linen

#### LAMPING:

(1)  **CF27** 27 Watt Biax Compact Fluorescent

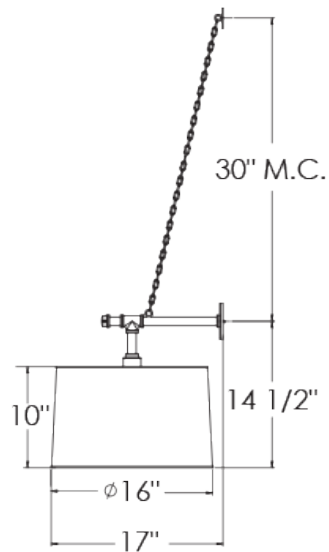
Electronic, 2G11 Base

 **L12-30K** 12 Watts, 3000K LED





# MODEL 6033



#### DIMENSIONS:

H: 34 1/2" D: 17" W: 16"

#### FINISH SHOWN:

Powder Coated Gloss Black


#### SHADE MATERIAL SHOWN:

Natural HF Linen

#### SHADE SIZE:

H: 10" Dia: 16"

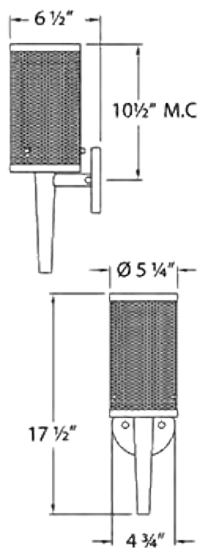
#### LAMPING:

(3)  GU24 Base Socket, for LED A Style Bulb  
or Self-Ballasted CFL





# MODEL 6042



#### DIMENSIONS:

H: 17 1/2" Dia: 5 1/4"

#### FINISH SHOWN:

**PC** Polished Chrome

#### ALSO AVAILABLE IN:


**SN** Satin Nickel

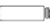
**SC** Satin Chrome

#### SHADE MATERIAL SHOWN:

Opal Matte Glass

#### LAMPING:

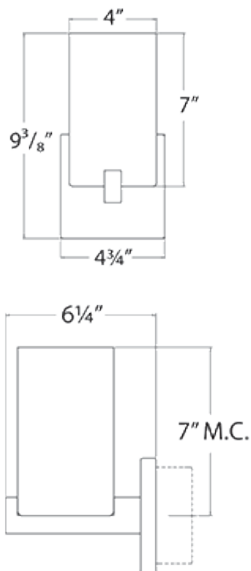
(1)  **GU24** Base Socket, for LED A Style Bulb or Self-Ballasted CFL

(1)  **T60** 60 Watt T-10 Incandescent





# MODEL 6049



#### DIMENSIONS:

H: 9 3/8" D: 6 1/4" W: 4 3/4"


#### FINISH SHOWN:

SN Satin Nickel

#### SHADE MATERIAL SHOWN:

Opal Matte Glass

#### LAMPING:

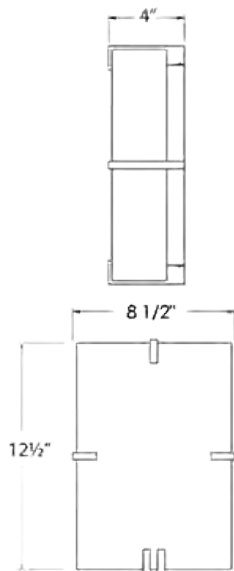
(1)  **Medium** Base Socket, for LED A Style Bulb or Self-Ballasted CFL







# MODEL 6054



**DIMENSIONS:**

H: 12 1/2 " D: 4" W: 8 1/2 "


**FINISH SHOWN:**


**SC Satin Chrome**

**SHADE MATERIAL SHOWN:**

White Alabaster

**LAMPING:**

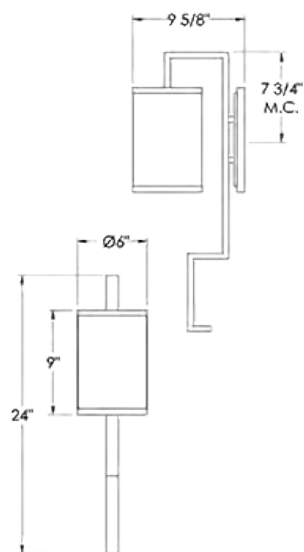
(2)  **GU24** Base Socket, for LED T Style Bulb  
or 13 Watt Quad CFL

 **L12-30K** 12 Watts, 3000K LED





# MODEL 6057



#### DIMENSIONS:

H: 24" D: 9 5/8" W: 6"

#### FINISH SHOWN:

**SDB** Standard Bronze


#### SHADE MATERIAL SHOWN:


Brussels Cream Linen

#### SHADE SIZE:

H: 9" Dia: 6"

#### LAMPING:

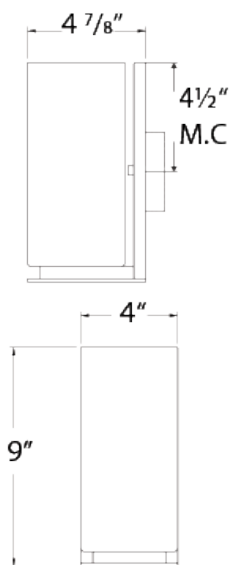
(1)  **Medium** Base Socket, for LED A Style Bulb or Self-Ballasted CFL

(1)  **GU24** Base Socket, for LED A Style Bulb or Self-Ballasted CFL





# MODEL 6061



#### DIMENSIONS:

H: 9" D: 4 7/8" W: 4"

#### FINISH SHOWN:

**SN** Satin Nickel

#### ALSO AVAILABLE IN:


**PC** Polished Chrome


**SDB** Standard Bronze

#### SHADE MATERIAL SHOWN:

Opal Matte Glass

#### LAMPING:

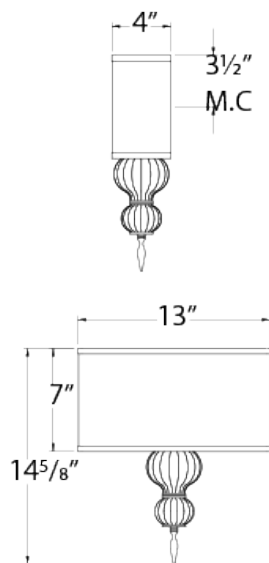
(1)  **GU24** Base Socket, for LED A Style Bulb  
or Self-Ballasted CFL

(1)  **N100** 100 Watt A-19 Incandescent





# MODEL 6091



#### DIMENSIONS:

H: 14 5/8" D: 4" W: 13"

#### FINISH SHOWN:

**PC** Polished Chrome

Clear Blown Glass Accents




#### SHADE MATERIAL SHOWN:

Linda Cream Linen

#### SHADE SIZE:

H: 7" D: 4" W: 13"

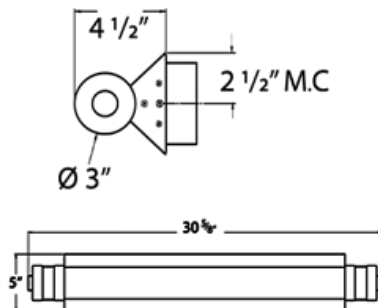
#### LAMPING:

- (1)  **GU24** Base Socket, for LED A Style Bulb or Self-Ballasted CFL
  - (2)  **C18E** 18 Watt Quad Tube Compact Fluorescent 4 Pin Electronic, G24Q-2 Base
-  **L9-27K** 9 Watts, 2700K LED





# MODEL 6097-25



#### DIMENSIONS:

H: 5" D: 4 1/2" W: 30 5/8"


#### FINISH SHOWN:

**PC** Polished Chrome

#### SHADE MATERIAL SHOWN:

Opal Matte Acrylic

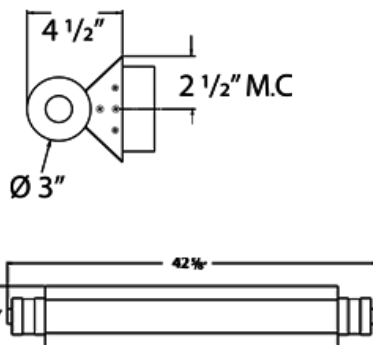
#### LAMPING:

(1)  **17T8** 17 Watt Bi-Pin T-8





# MODEL 6097-38



#### DIMENSIONS:

H: 5" D: 4 1/2" W: 42 5/8"


#### FINISH SHOWN:

PC Polished Chrome

#### SHADE MATERIAL SHOWN:

Opal Matte Glass

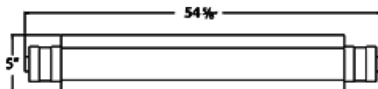
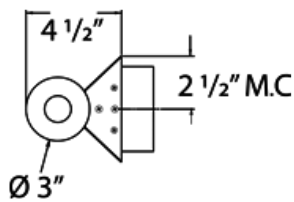
#### LAMPING:

(1)  25T8 25 Watt Bi-Pin T-8





# MODEL 6097-50



#### DIMENSIONS:

H: 5" D: 4 1/2" W: 54 5/8"


#### FINISH SHOWN:

PC Polished Chrome

#### SHADE MATERIAL SHOWN:

Opal Matte Acrylic

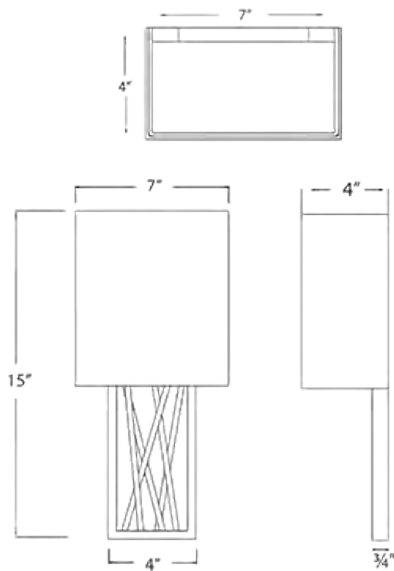
#### LAMPING:

(1)  32T8 32 Watt Bi-Pin T-8





# MODEL 6098



#### DIMENSIONS:

H: 15" D: 4" W: 7"

#### FINISH SHOWN:

**SN** Satin Nickel


#### SHADE MATERIAL SHOWN:


Sandstone White Linen


#### SHADE SIZE:

H: 8" D: 4" W: 7"

#### LAMPING:

(1)  **GU24** Base Socket, for LED A Style Bulb or Self-Ballasted CFL

(1)  **Medium** Base Socket, for LED A Style Bulb or Self-Ballasted CFL

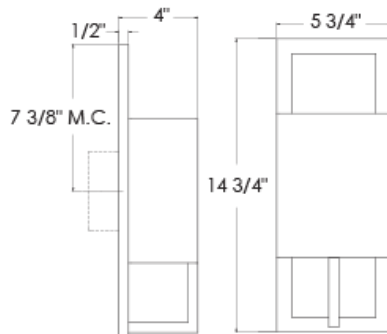
 **L10-30K** 10 Watts, 3000K LED







# MODEL 6107



#### DIMENSIONS:

H: 14 3/4" D: 4" W: 5 3/4"


#### FINISH SHOWN:

**PN** Polished Nickel

#### SHADE MATERIAL SHOWN:

Linen Acrylic

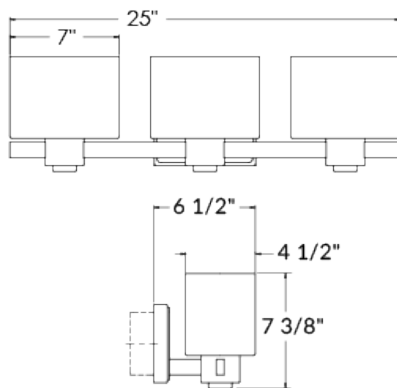
#### LAMPING:

(1)  **GU24** Base Socket, for LED A Style Bulb  
or Self-Ballasted CFL





# MODEL 6108



#### DIMENSIONS:

H: 7 3/8 " D: 6 1/2 " W: 25"


#### FINISH SHOWN:

**PC** Polished Chrome

#### SHADE MATERIAL SHOWN:

Opal Matte Acrylic

#### LAMPING:

(3)  **GU24** Base Socket, for LED A Style Bulb or Self-Ballasted CFL





# MODEL 6114



#### DIMENSIONS:

H: 15" D: 4" W: 7"


#### FINISH SHOWN:

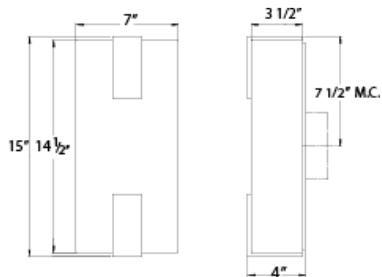
**PN** Polished Nickel

#### SHADE MATERIAL SHOWN:

Opal Matte Acrylic

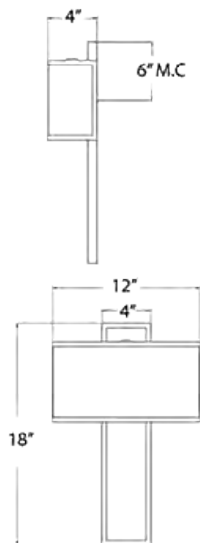
#### LAMPING:

(2)  **GU24** Base Socket, for LED T Style Bulb  
or 13 Watt Quad CFL





# MODEL 6118



#### DIMENSIONS:

H: 18" D: 4" W: 12"

#### FINISH SHOWN:

**SA** Satin Aluminum

#### ALSO AVAILABLE IN:

**SN** Satin Nickel


#### SHADE MATERIAL SHOWN:


Canvas White Linen


#### SHADE SIZE:

H: 6 1/2" D: 4" W: 12"

#### LAMPING:

(2)  **C18E** 18 Watt Quad Tube Compact  
Flourescent 4 Pin Electronic, G24Q-2 Base

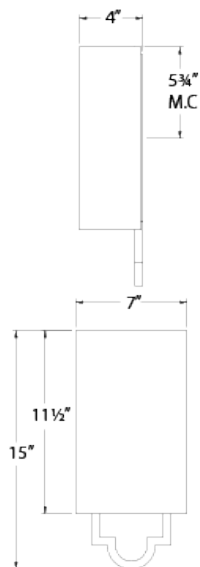
(2)  **GU24** Base Socket, for LED A Style Bulb  
or Self-Ballasted CFL

 **L12-30K** 12 Watts, 3000K LED





# MODEL 6134



#### DIMENSIONS:

H: 15" D: 4" W: 7"

#### FINISH SHOWN:

**PC** Polished Chrome

#### ALSO AVAILABLE IN:


**ANTB** Antique Brass


**SDB** Standard Bronze


#### SHADE MATERIAL SHOWN:

Linda Cream Linen

#### LAMPING:

(1)  **GU24** Base Socket, for LED A Style Bulb or Self-Ballasted CFL

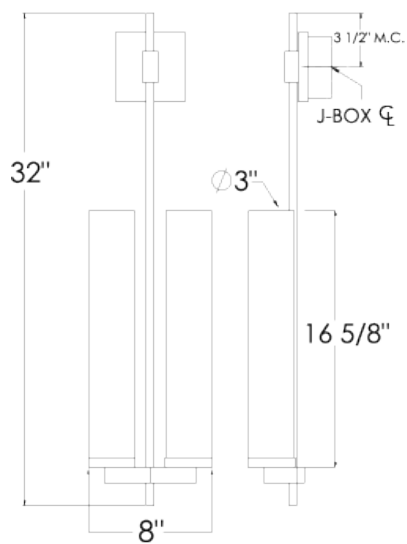
(1)  **Medium** Base Socket, for LED A Style Bulb or Self-Ballasted CFL

 **L12-30K** 12 Watts, 3000K LED





# MODEL 6137



#### DIMENSIONS:

H: 32" D: 3 7/8" W: 8"


#### FINISH SHOWN:

PC Polished Chrome

#### SHADE MATERIAL SHOWN:

Opal Matte Glass

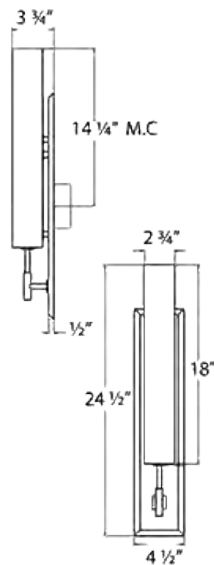
#### LAMPING:

(2)  GU24 Base Socket, for LED T Style Bulb  
or 13 Watt Quad CFL





# MODEL 6138



#### DIMENSIONS:

H: 24 1/2" D: 3 3/4" W: 4 1/2"


#### FINISH SHOWN:

**PC** Polished Chrome

#### SHADE MATERIAL SHOWN:

Opal Matte Acrylic

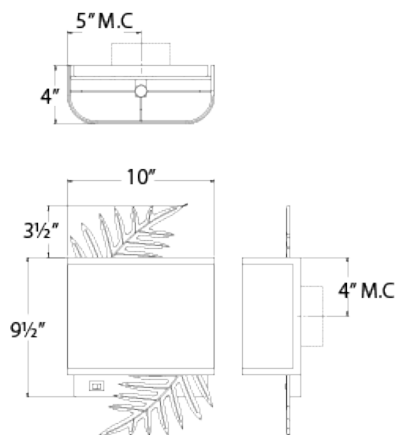
#### LAMPING:

(2)  **GU24** Base Socket, for LED T Style Bulb  
or 13 Watt Quad CFL





# MODEL 6150



#### DIMENSIONS:

H: 15 " D: 4 " W: 10 "

#### FINISH SHOWN:

**SN** Satin Nickel


#### SHADE MATERIAL SHOWN:

Shantung Cream Hardback

#### SHADE SIZE:

H: 9 1/2 " D: 4 " W: 10 "

#### LAMPING:

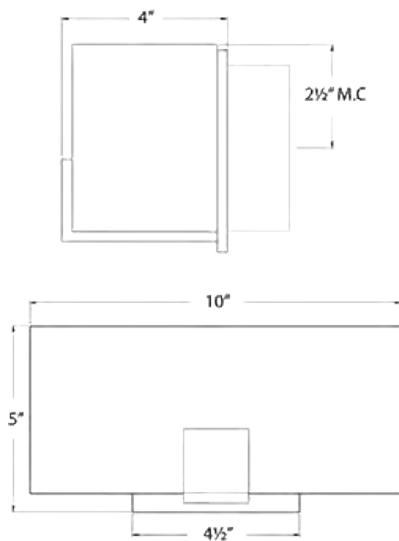
(2)  **GU24** Base Socket, for LED A Style Bulb  
or Self-Ballasted CFL







# MODEL 6158



#### DIMENSIONS:

H: 5" D: 4" W: 10"


#### FINISH SHOWN:


**BZ** Bronze

#### SHADE MATERIAL SHOWN:

Opal Matte Acrylic

#### LAMPING:

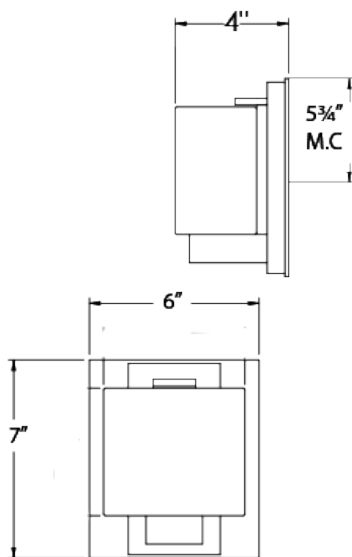
(1)  **GU24** Base Socket, for LED A Style Bulb or Self-Ballasted CFL

(1)  **Medium** Base Socket, for LED A Style Bulb or Self-Ballasted CFL





# MODEL 6161



**DIMENSIONS:**

H: 7" D: 4" W: 6"

**FINISH SHOWN:**

**SN** Satin Nickel


**ALSO AVAILABLE IN:**

**PN** Polished Nickel

**SHADE MATERIAL SHOWN:**

Clear Solid Crystal Block with Frosted Interior Center

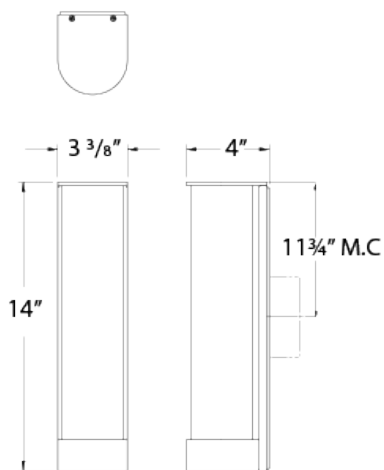
**LAMPING:**

(1)  C25 25 Watt Candelabra Base T-8





# MODEL 6165



#### DIMENSIONS:

H: 14" D: 4" W: 3 3/8"

#### FINISH SHOWN:

**SN** Satin Nickel

#### ALSO AVAILABLE IN:


**PC** Polished Chrome

**SDB** Standard Bronze

#### SHADE MATERIAL SHOWN:

Clear Acrylic Opal Matte Glass

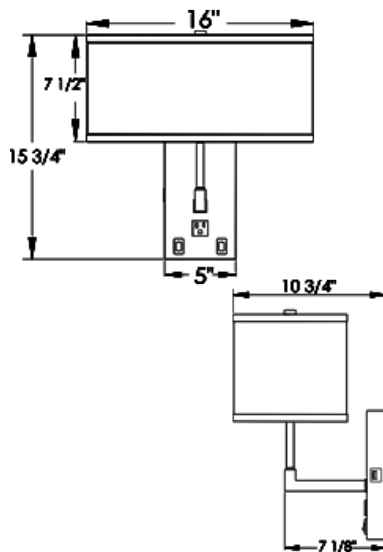
#### LAMPING:

(1)  **GU24** Base Socket, for LED T Style Bulb  
or 13 Watt Quad CFL





## MODEL 6168-2



#### DIMENSIONS:

H: 15 3/4" Dia: 16"

#### FINISH SHOWN:

**BN** Brushed Nickel

#### SHADE MATERIAL SHOWN:

CD Ivory W/ Self Fold Edge Top & Bottom

#### SHADE SIZE:

H: 7 1/2" Dia: 16"

#### SWITCH:


2 black Rockers

#### ADDITIONAL FEATURES:

1 Convenience Outlet

1 USB Port

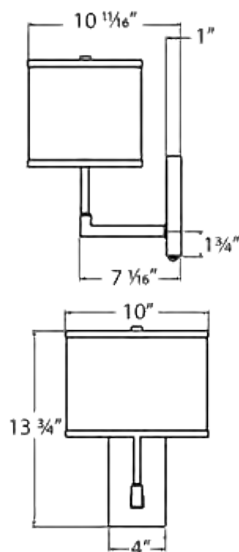
#### LAMPING:

(2)  GU24 Base Socket, for LED A Style Bulb or Self-Ballasted CFL





# MODEL 6168



#### DIMENSIONS:

H: 13 3/4" D: 7 1/16" W: 4"

#### FINISH SHOWN:

**BN** Brushed Nickel


#### SHADE MATERIAL SHOWN:


CD Ivory Linen

#### SHADE SIZE:

H: " D: " W: 10"

#### LAMPING:

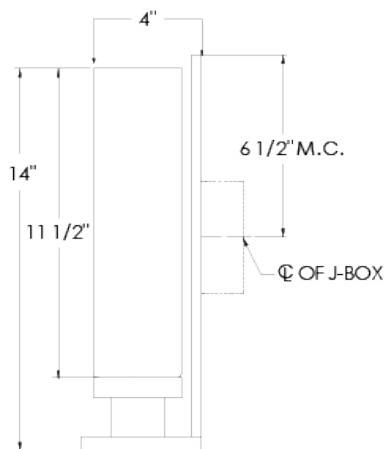
(2)  **GU24** Base Socket, for LED A Style Bulb or Self-Ballasted CFL

(1)  **Medium** Base Socket, for LED A Style Bulb or Self-Ballasted CFL





# MODEL 6169



#### DIMENSIONS:

H: 14" D: 4" W: 4"


#### FINISH SHOWN:

**BN** Brushed Nickel

#### SHADE MATERIAL SHOWN:

Opal Matte Glass

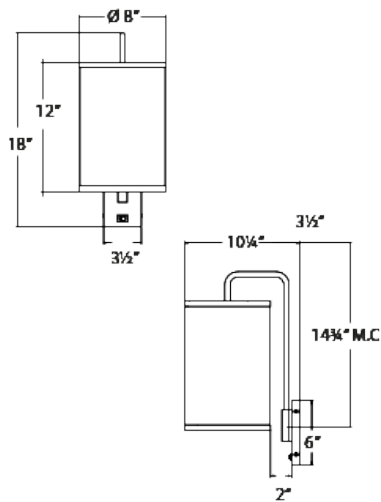
#### LAMPING:

(1)  **GU24** Base Socket, for LED T Style Bulb  
or 13 Watt Quad CFL





# MODEL 6170



#### DIMENSIONS:

H: 18" Dia: 8"

#### FINISH SHOWN:

SN Satin Nickel

#### SHADE MATERIAL SHOWN:

Laura White Linen

#### SHADE SIZE:

H: 12" Dia: 8"


#### SWITCH:

On/Off Rocker Switch Below Socket

#### ADDITIONAL NOTES:

**Headboard Mount** - Designed to mount on headboard with 8ft. cord exiting out the backside of mounting plate

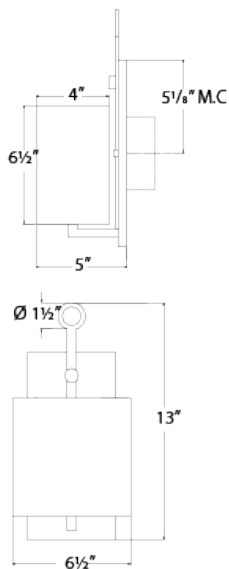
#### LAMPING:

(1)  GU24 Base Socket, for LED A Style Bulb or Self-Ballasted CFL





# MODEL 6173



#### DIMENSIONS:

H: 13" D: 5" W: 6 1/2 "

#### FINISH SHOWN:

Blackened Rust


#### SHADE MATERIAL SHOWN:

Ivory Linen

#### SHADE SIZE:

H: 6 1/2 " D: 4" W: 6 1/2 "

#### LAMPING:

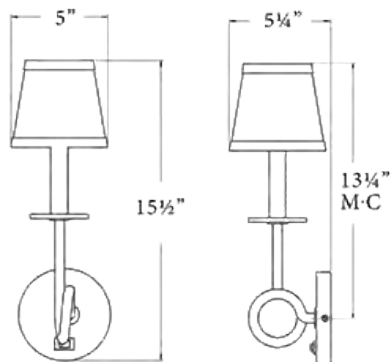
(1)  **GU24** Base Socket, for LED A Style Bulb  
or Self-Ballasted CFL







# MODEL 6180



#### DIMENSIONS:

H: 15 1/2" D: 5 1/4" W: 5 1/4"

#### FINISH SHOWN:

**BZ Bronze**


#### SHADE MATERIAL SHOWN:

Hardback Laura White Linen

#### SHADE SIZE:

H: 4 1/2" Dia: 5"

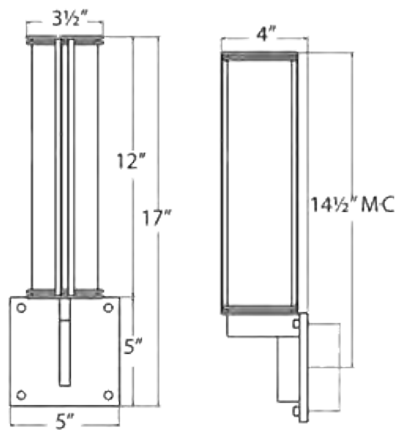
#### LAMPING:

(1)  **CB60** 60 Watt Candelabra Base





# MODEL 6184



#### DIMENSIONS:

H: 17" D: 4" W: 5"


#### FINISH SHOWN:

**BZ** Bronze

#### SHADE MATERIAL SHOWN:

Opal Matte Acrylic

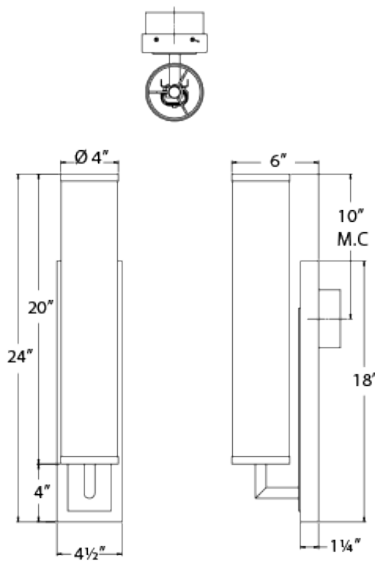
#### LAMPING:

(1)  **GU24** Base Socket, for LED T Style Bulb  
or 13 Watt Quad CFL





# MODEL 6186



#### DIMENSIONS:

H: 24" D: 6" W: 4 1/2"

#### FINISH SHOWN:

PC Polished Chrome


#### SHADE MATERIAL SHOWN:

Hardback Canvas White Linen

#### SHADE SIZE:

H: 20" Dia: 4"

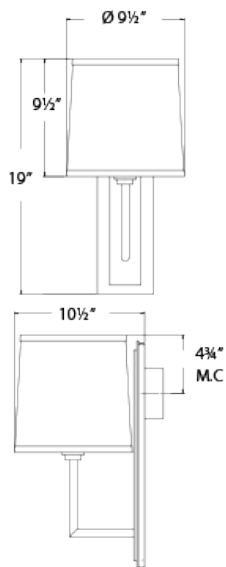
#### LAMPING:

(1)  CF39 39 Watt Biax Compact Fluorescent 4  
Pin Electronic, 2G11 Base





# MODEL 6187



#### DIMENSIONS:

H: 19" Dia: 9 1/2"

#### FINISH SHOWN:

**PC** Polished Chrome

#### ALSO AVAILABLE IN:

**OBZ** Oxidized Bronze

**PB** Polished Brass

**PC** Polished Chrome

**SN** Satin Nickel


#### SHADE MATERIAL SHOWN:

White Canvas

#### SHADE SIZE:

H: 9 1/2" Dia: 9 1/2"

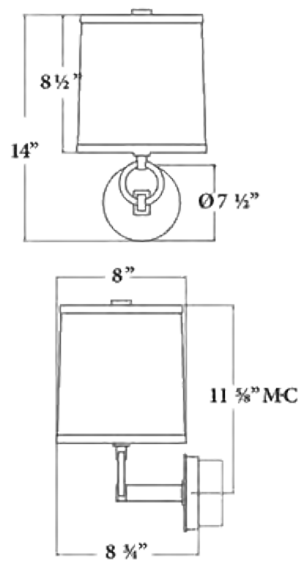
#### LAMPING:

(1)  **GU24** Base Socket, for LED A Style Bulb  
or Self-Ballasted CFL





# MODEL 6190



#### DIMENSIONS:

H: 14" D: 8 3/4" W: 8"

#### FINISH SHOWN:

**SN** Satin Nickel

#### ALSO AVAILABLE IN:

**ANTB** Antique Brass

**SDB** Standard Bronze


#### SHADE MATERIAL SHOWN:


Hardback CD Ivory with an Opal Matte Acrylic Top Diffuser

#### SHADE SIZE:

H: 8 1/2" D: 8" W: 8"

#### LAMPING:

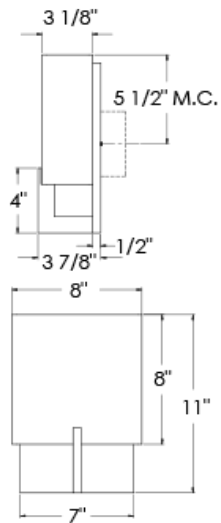
(1)  **GU24** Base Socket, for LED A Style Bulb or Self-Ballasted CFL

(1)  **Medium** Base Socket, for LED A Style Bulb or Self-Ballasted CFL





# MODEL 6193



#### DIMENSIONS:

H: 11" D: 3 7/8" W: 8"

#### FINISH SHOWN:

SN Satin Nickel

#### SHADE MATERIAL SHOWN:

Linen Acrylic

#### SHADE SIZE:

H: 8" D: 3 1/8" W: 8"

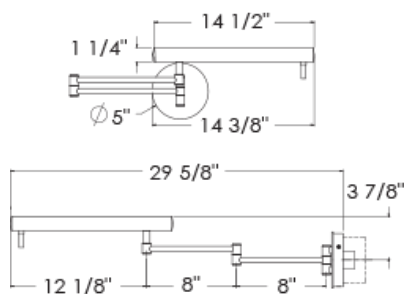
#### LAMPING:

(1)  GU24 Base Socket, for 18 Watt Quad CFL





# MODEL 6200



#### DIMENSIONS:

H: 6 3/4" D: 29 5/8" W: 5"


#### FINISH SHOWN:

**ANTB** Antique Brass

#### SHADE MATERIAL SHOWN:

Frosted Acrylic

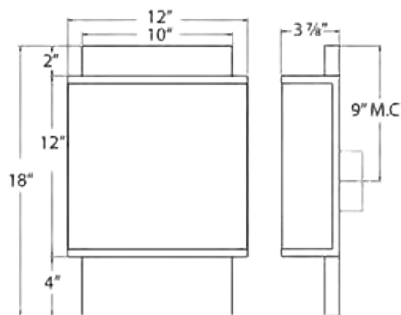
#### LAMPING:

 **L9-30K** 9 Watts, 3000K LED





# MODEL 6204



#### DIMENSIONS:

H: 18" D: 3 7/8" W: 12"

#### FINISH SHOWN:

**BB** Brushed Brass

#### ALSO AVAILABLE IN:

**SN** Satin Nickel

**ANTB** Antique Brass


#### SHADE MATERIAL SHOWN:


Canvas White Linen

#### SHADE SIZE:

H: 12" D: 3 7/8" W: 12"

#### LAMPING:

(2)  **GU24** Base Socket, for LED A Style Bulb  
or Self-Ballasted CFL

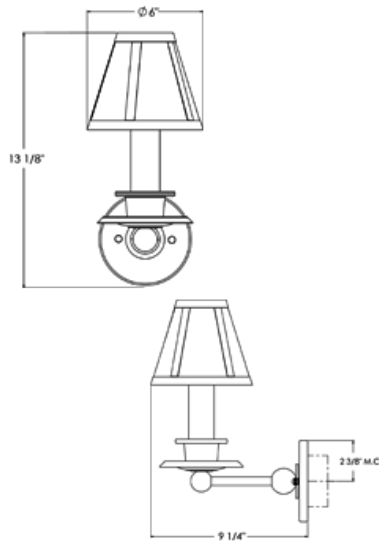
 **L10-30K** 10 Watts, 3000K LED







# MODEL 6228



#### DIMENSIONS:

H: 13 1/8" Dia: 6"

#### FINISH SHOWN:

PC Polished Chrome


#### SHADE MATERIAL SHOWN:

Westfield White Hardback

#### SHADE SIZE:

H: 13 1/8" Dia: 6"

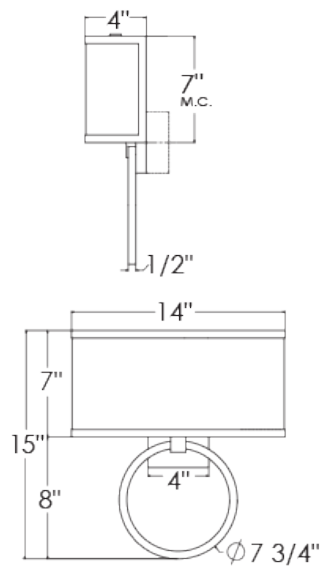
#### LAMPING:

(1)  Candelabra Base (E12) Socket for 9 Watt LED





# MODEL 6229



#### DIMENSIONS:

H: 15 " D: 4 " W: 14 "

#### FINISH SHOWN:

**PN** Polished Nickel


#### SHADE MATERIAL SHOWN:


CD Ivory Linen


#### SHADE SIZE:

H: 7" D: 4" W: 14"

#### LAMPING:

(2)  **GU24** Base Socket, for LED A Style Bulb or Self-Ballasted CFL

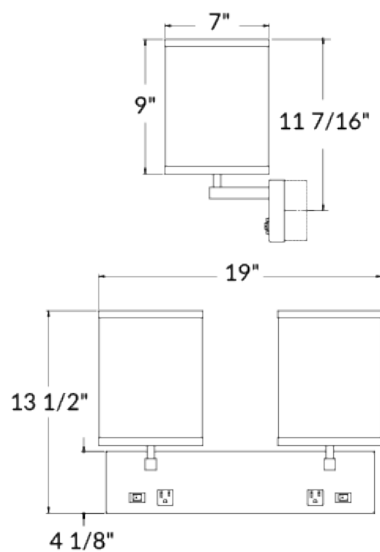
(2)  **C26E** 26 Watt Quad Tube Compact Fluorescent 4 Pin Electronic, G24Q-3 Base

 **L10-30K** 10 Watts, 3000K LED





# MODEL 6233



#### DIMENSIONS:

H: 13 1/2 " D: 8 " W: 18 "

#### FINISH SHOWN:

**BN** Brushed Nickel

#### SHADE MATERIAL SHOWN:

Laura White Linen

#### SHADE SIZE:

H: 9 " D: 7 " W: 7 "


#### SWITCH:


2 On/Off Rocker Switches

#### ADDITIONAL FEATURES:

2 Convenience Outlets

#### LAMPING:

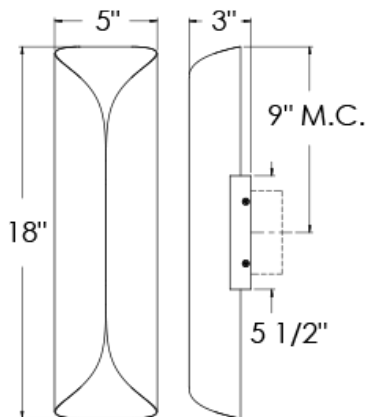
(1)  **Medium** Base Socket, for LED A Style Bulb or Self-Ballasted CFL

(2)  **GU24** Base Socket, for LED A Style Bulb or Self-Ballasted CFL





# MODEL 6239-M1



#### DIMENSIONS:

H: 18 " D: 3 " W: 5 "

#### FINISH SHOWN:


**PDMW** Powder Coated Matte White


**AGB** Aged Brass

#### SHADE MATERIAL SHOWN:

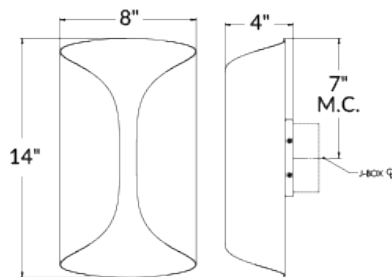
Metal

#### LAMPING:

(2)  **E-12** Socket for Candelabra Base

 **L18-30K** 18 Watts, 3000K LED





**DIMENSIONS:**


H: 14" D: 4" W: 8"


**FINISH SHOWN:**

Polished Stainless Steel

**BS** Brushed Stainless Steel

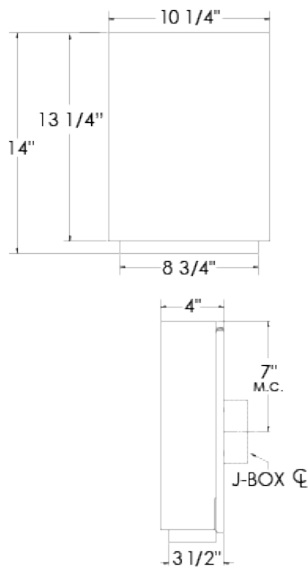
**LAMPING:**

(2)  **GU24** Base Socket, for LED A Style Bulb or Self-Ballasted CFL

(2)  Candelabra Base (E12) Socket for 9 Watt LED



# MODEL 6240



#### DIMENSIONS:

H: 14" D: 4" W: 10 1/4"


#### FINISH SHOWN:


**BN** Brushed Nickel

#### SHADE MATERIAL SHOWN:

Opal Matte Acrylic

#### LAMPING:

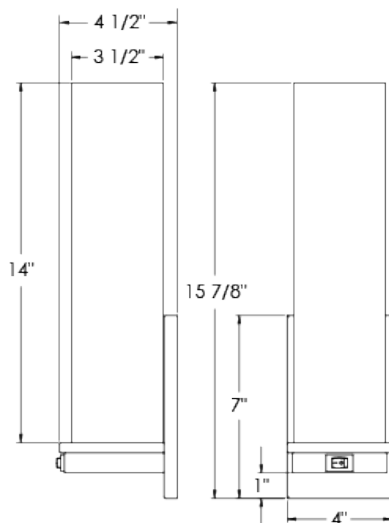
(2)  **C26E** 26 Watt Quad Tube Compact  
Fluorescent 4 Pin Electronic, G24Q-3 Base

 **L18-30K** 18 Watts, 3000K LED





# MODEL 6242



#### DIMENSIONS:

H: 15 7/8" D: 4 1/4" W: 4"

#### FINISH SHOWN:

**PC** Polished Chrome

#### SHADE MATERIAL SHOWN:

Brussels Cream Linen


#### SHADE SIZE:

H: 14" D: 3 1/2 " W: 3 1/2 "

#### SWITCH:

On/Off Rocker Switch

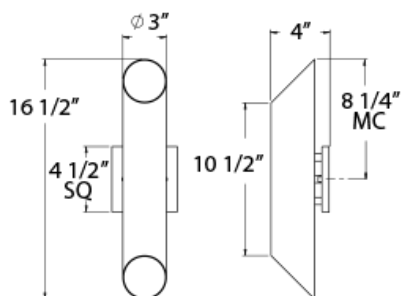
#### LAMPING:

(1)  **GU24** Base Socket, for LED A Style Bulb or Self-Ballasted CFL





# MODEL 6246-1-MOD1



#### DIMENSIONS:

H: 16 1/2" D: 4" W: 4 1/2"


#### FINISH SHOWN:

**BB** Brushed Brass

#### SHADE MATERIAL SHOWN:

**BB** Brushed Brass

#### LAMPING:

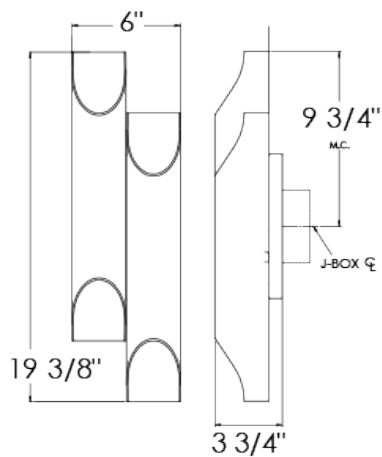
(2)  **Medium** Base Socket, for 7 Watt LED  
PAR 20







# MODEL 6246



#### DIMENSIONS:

H: 19 3/8 " D: 3 3/4 " W: 6"

#### FINISH SHOWN:

**PDMB** Powder Coated Matte Black


Gold Interior

#### SHADE MATERIAL SHOWN:

Matte Black

Gold Interior

#### LAMPING:

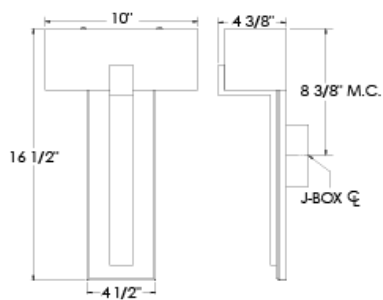
(4)  **Medium** Base Socket, for 7 Watt LED

PAR 20





# MODEL 6263



#### DIMENSIONS:

H: 16 1/2" D: 4 3/8" W: 10"


#### FINISH SHOWN:

**PN** Polished Nickel

#### SHADE MATERIAL SHOWN:

Opal Matte Acrylic

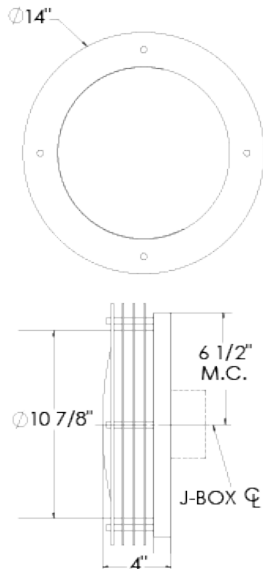
#### LAMPING:

(2)  **C13E** 13 Watt Quad Tube Compact  
Fluorescent 4 Pin Electronic, G24Q-1 Base





# MODEL 6273



#### DIMENSIONS:

H: 4" Dia: 14"


#### FINISH SHOWN:

**BCH** Brushed Chrome


#### SHADE MATERIAL SHOWN:

Opal Matte Glass

#### LAMPING:

(2)  **C13E** 13 Watt Quad Tube Compact

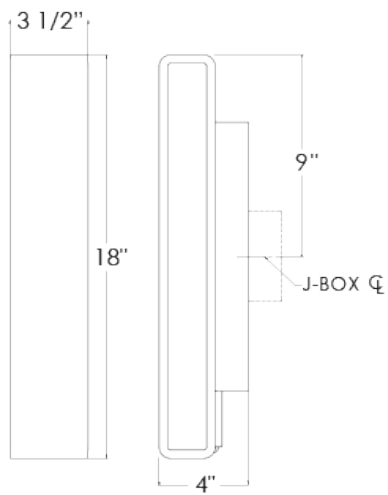
Fluorescent 4 Pin Electronic, G24Q-1 Base

 **L18-30K** 18 Watts, 3000K LED





# MODEL 6279



**DIMENSIONS:**

**H: 18 " D: 3 /12 " W: 4"**


**FINISH SHOWN:**

**PC Polished Chrome**

**SHADE MATERIAL SHOWN:**

**White Cast Aluminum**

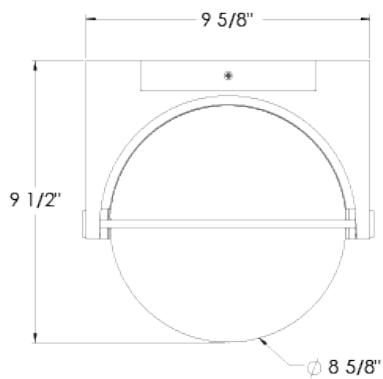
**LAMPING:**

 **L8-30K 8 Watts, 3000K LED**





# MODEL 6281



**DIMENSIONS:**

H: 9 1/2 " Dia: 9 5/8 "

**FINISH SHOWN:**

**PDMB** Powder Coated Matte Black


**SHADE MATERIAL SHOWN:**

Opal Matte Acrylic

**SWITCH:**

On/Off Rocker Switch at Backplate

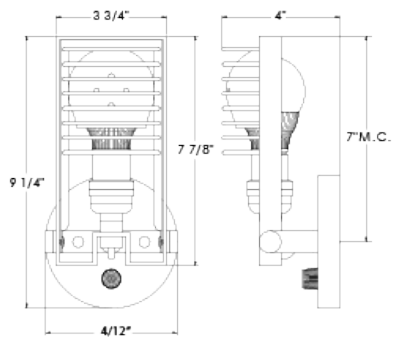
**LAMPING:**

(1)  **GU24** Base Socket, for LED A Style Bulb or Self-Ballasted CFL





# MODEL 6282



#### DIMENSIONS:

H: 9 1/4 " D: 4 " W: 3 3/4 "

#### FINISH SHOWN:

**PDMB** Powder Coated Matte Black

**PC** Polished Chrome


#### SHADE MATERIAL SHOWN:

Frosted Glass

#### SWITCH:

Full Range Dimmer

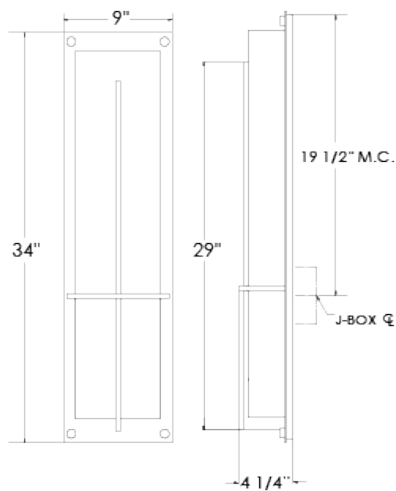
#### LAMPING:

(1)  **Medium** Base Socket, for LED A Style Bulb or Self-Ballasted CFL





# MODEL 6286



#### DIMENSIONS:

H: 34 " D: 4 1/4 " W: 9 "

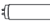
#### FINISH SHOWN:

**BZ** Bronze

#### SHADE MATERIAL SHOWN:

Opal Matte Acrylic

#### LAMPING:

(1)  **FP24** 24 Watt Mini Bi-Pin, T-5 High

Output or 12 Watt T5 LED





# MODEL 6287



#### DIMENSIONS:

H: 20" D: 4 3/4" W: 8"

#### FINISH SHOWN:

**BN** Brushed Nickel


#### SHADE MATERIAL SHOWN:

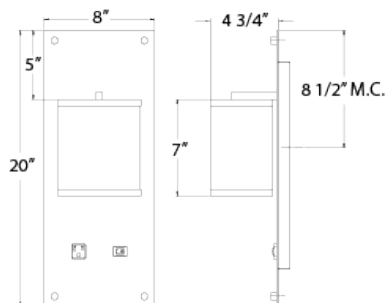
Beige Linen

#### SHADE SIZE:

H: 7" D: 4 3/4" W: 6"

#### LAMPING:

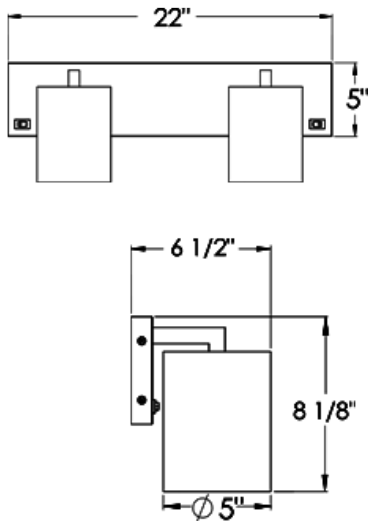
(1)  **Medium** Base Socket, for LED A Style Bulb or Self-Ballasted CFL







# MODEL 6288-M1



#### DIMENSIONS:

H: 8 1/8" D: 6 1/2" W: 22"

#### FINISH SHOWN:

**BN** Brushed Nickel

#### SHADE MATERIAL SHOWN:

Hardback Laura White Linen

#### SHADE SIZE:

H: 6 1/2" Dia: 5"

#### SWITCH:


(2) On/Off Rocker Switch

#### ADDITIONAL FEATURES:

2 Convenience Outlets

2 USB Ports

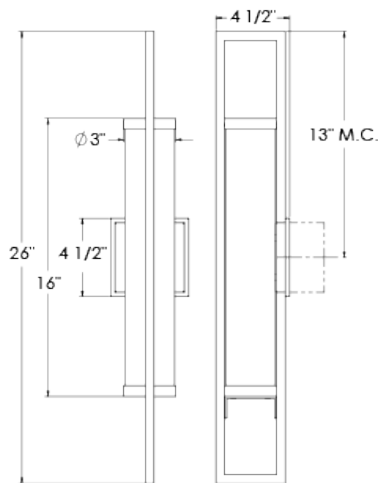
#### LAMPING:

(2)  GU24 Base Socket, for LED A Style Bulb or Self-Ballasted CFL





# MODEL 6293



#### DIMENSIONS:

H: 26" D: 4 1/2 " W: 4 1/2"


#### FINISH SHOWN:

Blackened Bronze

#### SHADE MATERIAL SHOWN:

Frosted Glass

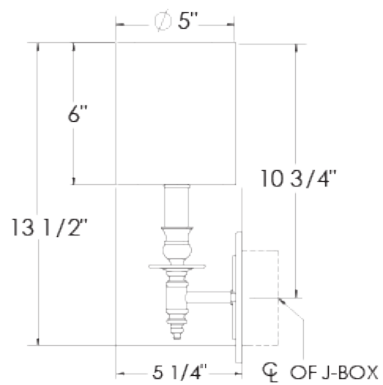
#### LAMPING:

(1)  **GU24** Base Socket, for LED A Style Bulb or Self-Ballasted CFL





# MODEL 6297



#### DIMENSIONS:

H:  $13 \frac{1}{2}"$  Dia:  $5"$

#### FINISH SHOWN:

**ABZ** Antique Bronze


#### SHADE MATERIAL SHOWN:

Cream Linen

#### SHADE SIZE:

H:  $6"$  Dia:  $5"$

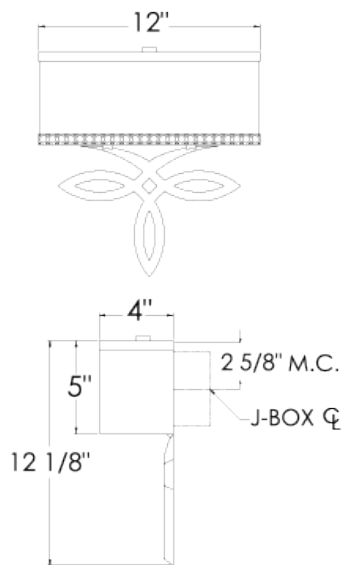
#### LAMPING:

(1)  **Medium** Base Socket, for LED A Style Bulb or Self-Ballasted CFL





# MODEL 6298



#### DIMENSIONS:

H: 12 1/8" D: 4" W: 12"

#### FINISH SHOWN:

**ABZ** Antique Bronze


#### SHADE MATERIAL SHOWN:

Hardback Canvas White Linen with an Opal Matte  
Acrylic Top and Bottom Diffuser


#### SHADE SIZE:

H: 5" D: 4" W: 12"

#### LAMPING:

(2)  **C18E** 18 Watt Quad Tube Compact

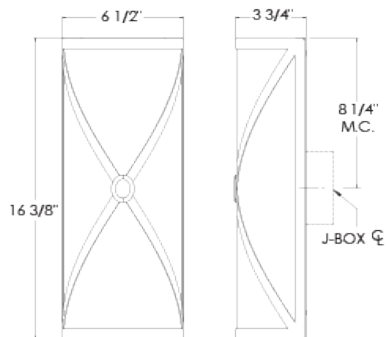
Flourescent 4 Pin Electronic, G24Q-2 Base

 **L18-27K** 18 Watts, 2700K LED





# MODEL 6299



#### DIMENSIONS:

H:  $16 \frac{3}{8}''$  D:  $3 \frac{3}{4}''$  W:  $6 \frac{1}{2}''$


#### FINISH SHOWN:

**PN** Polished Nickel

#### SHADE MATERIAL SHOWN:

Opal Matte Acrylic

#### LAMPING:

(2)  **GU24** Base Socket, for LED A Style Bulb  
or Self-Ballasted CFL





# MODEL 6327



#### DIMENSIONS:

H: 18 " D: 4 " W: 4 3/4 "


#### FINISH SHOWN:

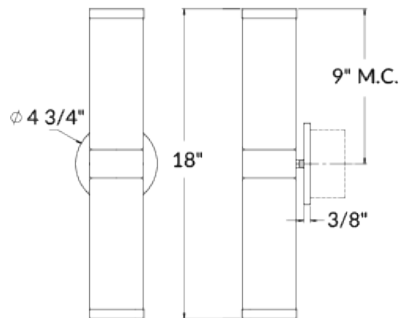
**ANTB** Antique Brass

#### SHADE MATERIAL SHOWN:

Opal Matte Glass

#### LAMPING:

(2)  **GU24** Base Socket, for LED A Style Bulb  
or Self-Ballasted CFL





# MODEL 6328



#### DIMENSIONS:

H: 18" D: 4" W: 4 1/2"


#### FINISH SHOWN:

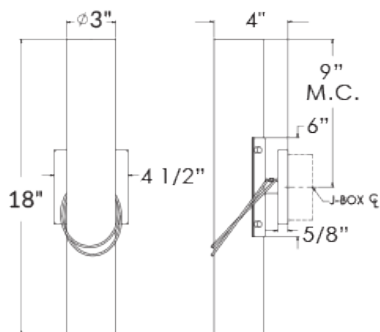
**SB** Satin Brass

#### SHADE MATERIAL SHOWN:

Opal Matte Acrylic

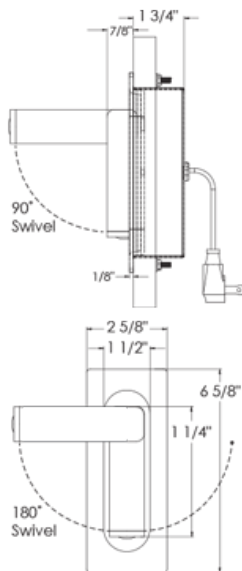
#### LAMPING:

(2)  **GU24** Base Socket, for LED A Style Bulb  
or Self-Ballasted CFL





# MODEL 6329



#### DIMENSIONS:

H: 6 5/8" D: 1/8" W: 2 5/8"

#### FINISH SHOWN:

PC Polished Chrome


#### SHADE MATERIAL SHOWN:

Frosted Acrylic

#### SWITCH:

Momentary Switch turns on when Lamp Pulled out

#### LAMPING:

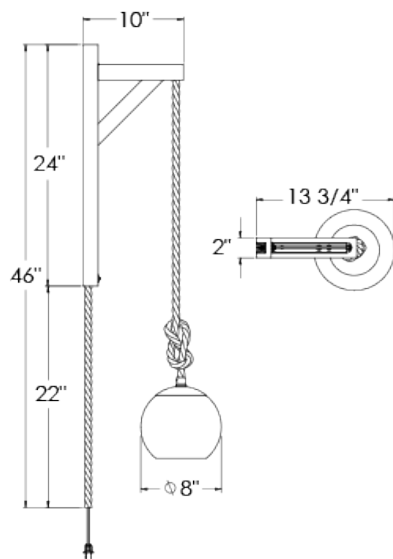
 **L3-30K** 3 Watts, 3000K LED







# MODEL 6330



#### DIMENSIONS:

H: 46" D: 13 3/4" W: 8"

#### FINISH SHOWN:


**PC** Polished Chrome

**DSW** Dark Stained Wood

#### SHADE MATERIAL SHOWN:

Frosted Glass

#### LAMPING:

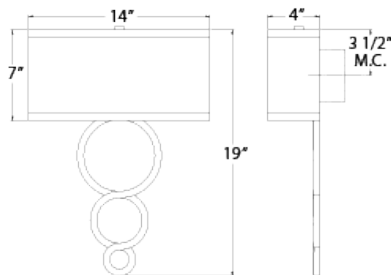
(1)  **Medium** Base Socket, for LED A Style

Bulb or Self-Ballasted CFL





# MODEL 6332



#### DIMENSIONS:

H: 19" D: 4" W: 14"

#### FINISH SHOWN:

**SB** Satin Brass


#### SHADE MATERIAL SHOWN:

CD Ivory Linen with an Opal Matte Acrylic Top and Bottom Diffuser

#### SHADE SIZE:

H: 7" D: 14" W: 14"

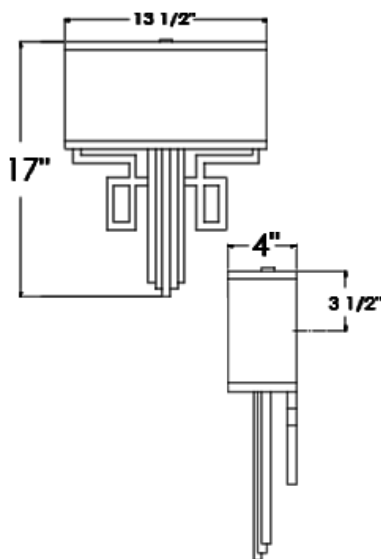
#### LAMPING:

(2)  **GU24** Base Socket, for LED A Style Bulb or Self-Ballasted CFL





# MODEL 6341



#### DIMENSIONS:

H: 17" D: 4" W: 13 1/2"

#### FINISH SHOWN:

**ANTB** Antique Brass


#### SHADE MATERIAL SHOWN:

Hardback Laura White Linen

#### SHADE SIZE:

H: 7" D: 4" W: 13 1/2"

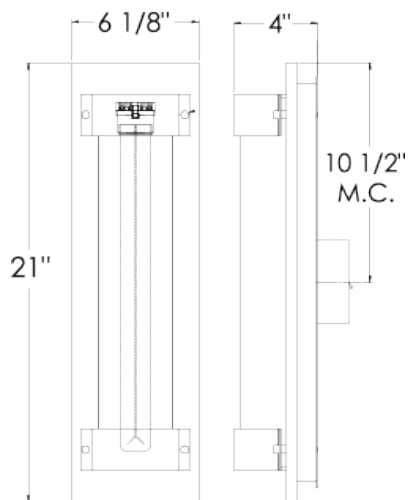
#### LAMPING:

(2)  **Medium** Base Socket, for LED A Style Bulb or Self-Ballasted CFL





# MODEL 6342



#### DIMENSIONS:

H: 21" D: 4" W: 6 1/8 "


#### FINISH SHOWN:

**PDBZ** Powder Coated Bronze

#### SHADE MATERIAL SHOWN:

Opal Matte Acrylic

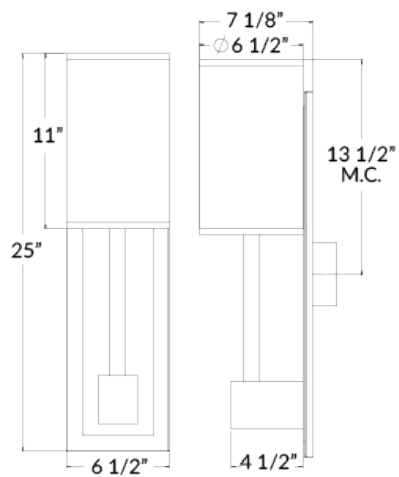
#### LAMPING:

(1)  **CF39** 39 Watt Biax Compact Fluorescent 4  
Pin Electronic, 2G11 Base





# MODEL 6343



#### DIMENSIONS:

H: 25 " D: 7 1/8 " W: 6 1/2 "


#### FINISH SHOWN:

**BZ** Bronze

#### SHADE MATERIAL SHOWN:

Linda Black Linen

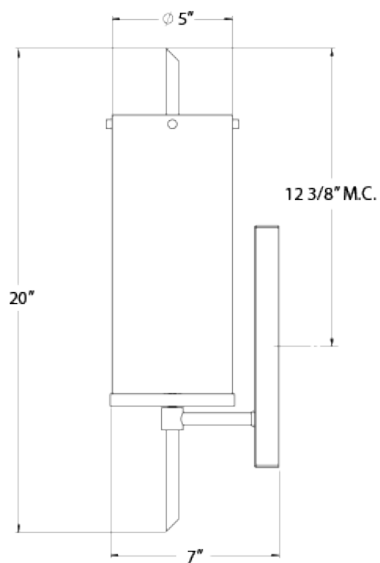
#### LAMPING:

(1)  **GU24** Base Socket, for LED A Style Bulb  
or Self-Ballasted CFL





# MODEL 6346



#### DIMENSIONS:

H: 20 " D: 7 " W: 5 "


#### FINISH SHOWN:

**ANTB** Antique Brass

#### SHADE MATERIAL SHOWN:

Opal Matte Acrylic

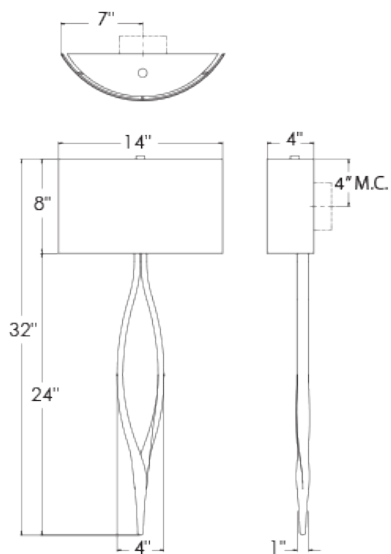
#### LAMPING:

(1)  **GU24** Base Socket, for LED A Style Bulb  
or Self-Ballasted CFL





# MODEL 6351



#### DIMENSIONS:

H: 32" D: 4" W: 14"

#### FINISH SHOWN:

PC Polished Chrome


#### SHADE MATERIAL SHOWN:

Off White Shantung Linen with an Opal Matte Acrylic  
Top and Bottom Diffuser

#### SHADE SIZE:

H: 8" D: 4" W: 14"

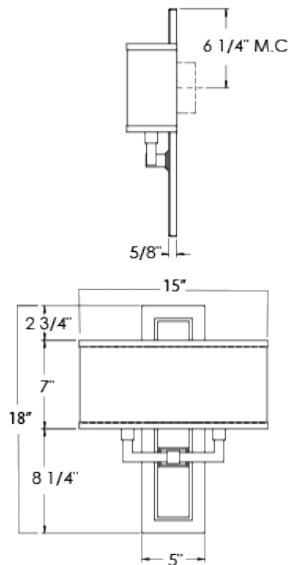
#### LAMPING:

 **L12-27K** 12 Watts, 2700K LED





# MODEL 6358



#### DIMENSIONS:

H: 18" D: 4" W: 15"

#### FINISH SHOWN:

PC Polished Chrome


#### SHADE MATERIAL SHOWN:

Off White Shantung Linen with an Opal Matte Acrylic  
Top and Bottom Diffuser

#### SHADE SIZE:

H: 7" D: 4" W: 15"

#### LAMPING:

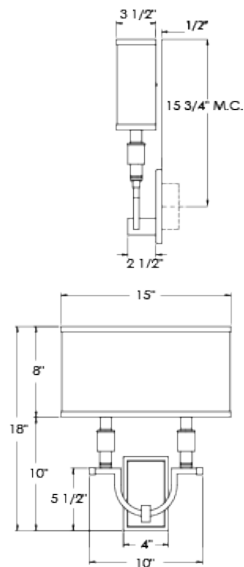
 **L9-27K** 9 Watts, 2700K LED







# MODEL 6360



#### DIMENSIONS:

H: 18 " D: 3 1/2 " W: 15 "

#### FINISH SHOWN:

**ANTB** Antique Brass


#### SHADE MATERIAL SHOWN:

Off White Shantung Linen with an Opal Matte Acrylic  
Bottom Diffuser

#### SHADE SIZE:

H: 8 " D: 3 1/2 " W: 15 "

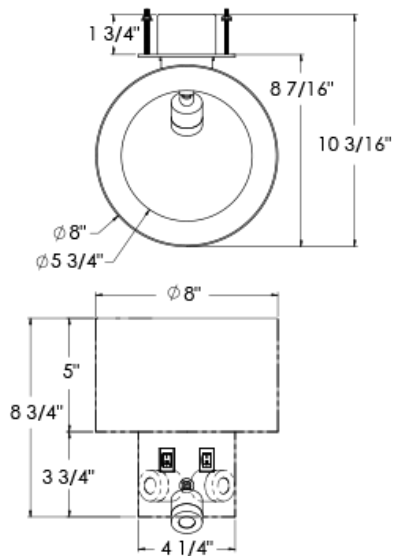
#### LAMPING:

 **L13-30K** 13 Watts, 3000K LED





# MODEL 6361-M1



#### DIMENSIONS:

H: 8 3/4" D: 10 3/16" W: 8"

#### FINISH SHOWN:

**BZ** Bronze


#### SHADE MATERIAL SHOWN:

Opal Matte Acrylic

#### SWITCH:

2 On/Off Rocker Switches

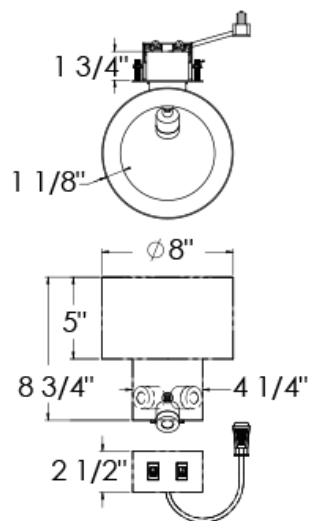
#### LAMPING:

 **L18-30K** 18 Watts, 3000K LED





# MODEL 6361-M2



#### DIMENSIONS:

H: 8 3/4" D: 10 3/16" W: 8"

#### FINISH SHOWN:

**BZ** Bronze


#### SHADE MATERIAL SHOWN:

Opal Matte Acrylic

#### SWITCH:

2 black Rockers

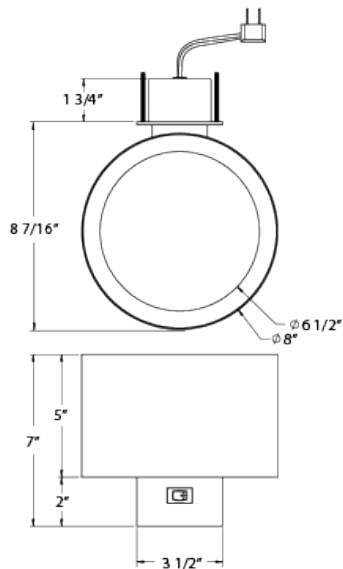
#### LAMPING:

 **L18-30K** 18 Watts, 3000K LED





# MODEL 6361



#### DIMENSIONS:

H: 7 " D: 10 3/16 " W: 8 "

#### FINISH SHOWN:

**ANTB** Antique Brass


#### SHADE MATERIAL SHOWN:

**ANTB** Antique Brass

#### SWITCH:

On/Off Rocker Switch at Backplate

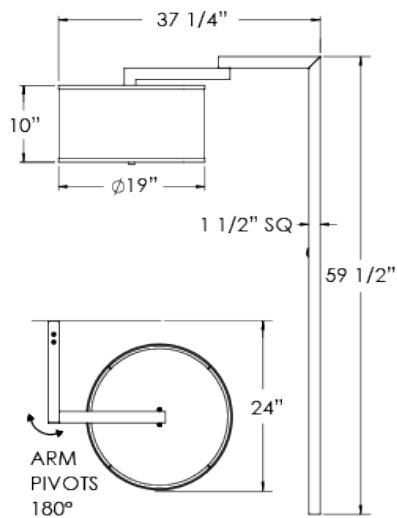
#### LAMPING:

 **L20-27K** 20 Watts, 2700K LED





# MODEL 6363



#### DIMENSIONS:

H: 59 1/2 " D: 24 " W: 22 "

#### FINISH SHOWN:

**BZ** Bronze

#### SHADE MATERIAL SHOWN:

Anna Cream Linen with an Opal Matte Acrylic Top and Bottom Diffuser


#### SHADE SIZE:

H: 10 " Dia: 19 "

#### SWITCH:

On/Off Rocker Switch

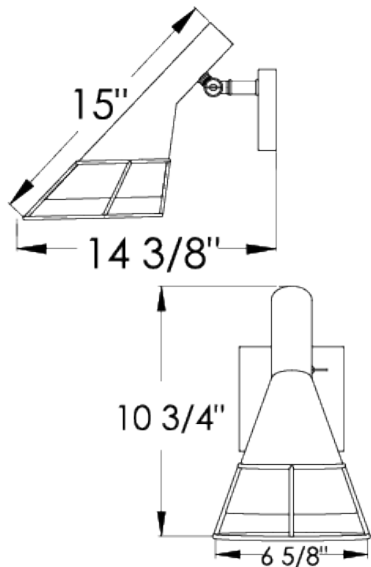
#### LAMPING:

(2)  **Medium** Base Socket, for LED A Style Bulb or Self-Ballasted CFL





# MODEL 6364



**DIMENSIONS:**

H: 10 3/4" D: 14 3/8" W: 6 5/8"

**FINISH SHOWN:**

Blackened Steel Finish


**SHADE MATERIAL SHOWN:**

Opal Matte Glass

**SHADE SIZE:**

H: 3" D: 7 3/4" W: 6 5/8"

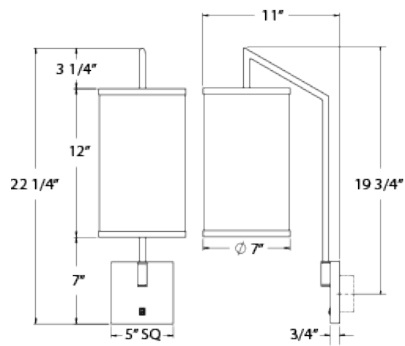
**LAMPING:**

(1)  **Medium** Base Socket, for LED A Style Bulb or Self-Ballasted CFL





# MODEL 6367



#### DIMENSIONS:

H: 22 1/4" D: 11" W: 5"

#### FINISH SHOWN:

**PDMB** Powder Coated Matte Black

#### SHADE MATERIAL SHOWN:

Canvas White Linen


#### SHADE SIZE:

H: 12" Dia: 7"

#### SWITCH:

On/Off Micro Rocker Switch

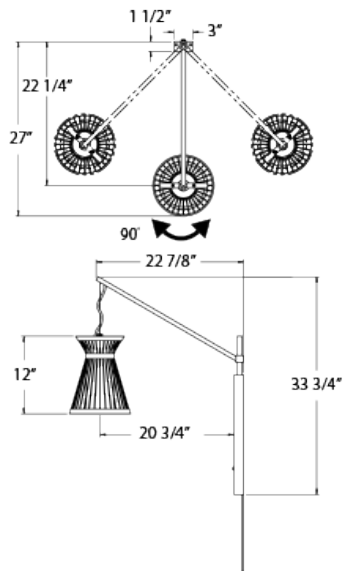
#### LAMPING:

(1)  **Medium** Base Socket, for LED A Style Bulb or Self-Ballasted CFL





# MODEL 6368



#### DIMENSIONS:

H: 33 3/4" D: 27" W: 9 1/2"

#### FINISH SHOWN:

**PDBL** Powder Coated Black

#### SHADE MATERIAL SHOWN:

Metal Frame Hardback Flax Colored Kyoto Fabric


#### SHADE SIZE:

H: 12" Dia: 9 1/2"

#### SWITCH:

On/Off Rocker Switch at Backplate

#### LAMPING:

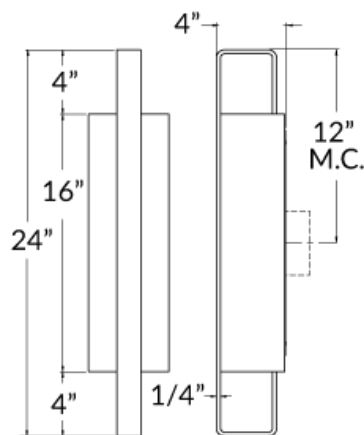
(1)  **GU24** Base Socket, for LED A Style Bulb or Self-Ballasted CFL







# MODEL 6370



#### DIMENSIONS:

H: 24" D: 4" W: 5"


#### FINISH SHOWN:

SN Satin Nickel

#### SHADE MATERIAL SHOWN:

Opal Matte Acrylic

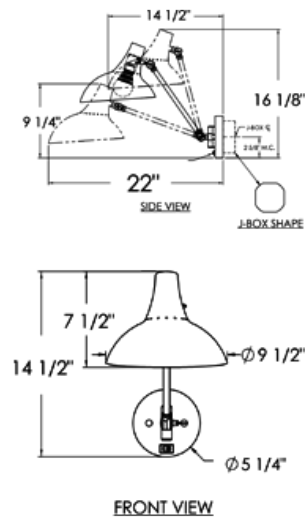
#### LAMPING:

(1)  **Medium** Base Socket, for 26 Watt Self-Ballasted Quad Tube Compact Fluorescent or T Type LED





# MODEL 6371



#### DIMENSIONS:

H: 14 1/2" Dia: 9 1/2"

#### FINISH SHOWN:

Custom Light Bronze  
Powder Coated Flat Black


#### SHADE MATERIAL SHOWN:

Metal

#### SWITCH:

On/Off Rocker Switch

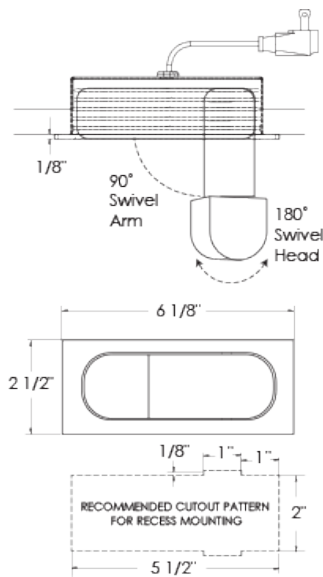
#### LAMPING:

(1)  **Medium** Base Socket, for LED A Style  
Bulb or Self-Ballasted CFL





# MODEL 6375



#### DIMENSIONS:

H: 2 1/2 " D: 1/8 " W: 6 1/8 "

#### FINISH SHOWN:

PC Polished Chrome


#### SHADE MATERIAL SHOWN:

Clear Acrylic

#### SWITCH:

Momentary Switch turns on when Lamp Pulled out

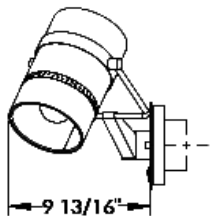
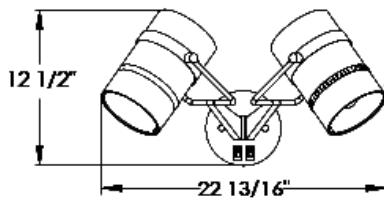
#### LAMPING:

 **L3-30K** 3 Watts, 3000K LED





# MODEL 6379-M2



#### DIMENSIONS:

H: 12 1/2" Dia: 22 13/16"

#### FINISH SHOWN:

**ORBZ** Oil Rubbed Bronze

#### SHADE MATERIAL SHOWN:


Hardback Valley Forge Fabric

Â

#### SWITCH:

2 On/Off Rocker Switches

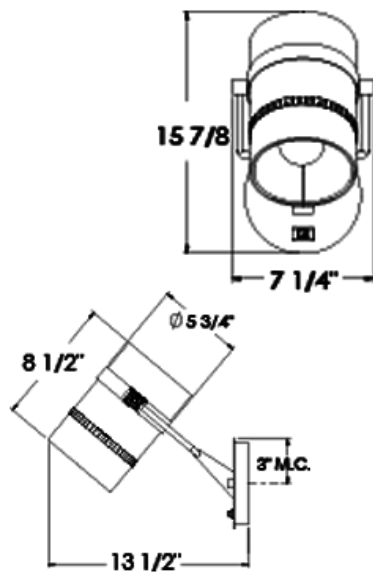
#### LAMPING:

(2)  **Medium** Base Socket, for LED A Style Bulb or Self-Ballasted CFL





# MODEL 6379



#### DIMENSIONS:

H: 15 7/8" Dia: 7 1/4"

#### FINISH SHOWN:

**ORBZ** Oil Rubbed Bronze

#### SHADE MATERIAL SHOWN:

Valley Forge Blanc Fabric


#### SHADE SIZE:

H: 8 1/2" Dia: 5 1/2"

#### SWITCH:

On/Off Rocker Switch

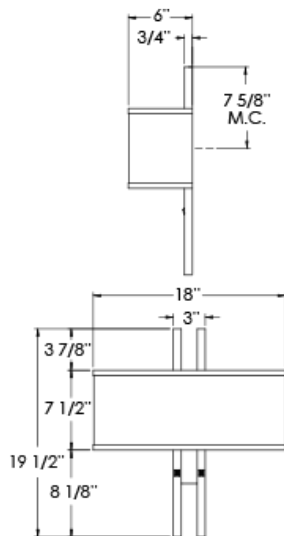
#### LAMPING:

(1)  **Medium** Base Socket, for LED A Style Bulb or Self-Ballasted CFL





## MODEL 6380-2



#### DIMENSIONS:

H: 19 1/2" D: 6" W: 18"

#### FINISH SHOWN:

**PDBZ** Powder Coated Bronze

#### SHADE MATERIAL SHOWN:

CD Ivory Linen with Linda Black Linen Trim with an Opal Matte Acrylic Top and Bottom Diffuser

#### SHADE SIZE:

H: 7 1/2" D: 6" W: 18"


#### SWITCH:

2 On/Off Rocker Switches

#### ADDITIONAL NOTES:

1 1/4" Minimum Space Required Behind Headboard for 6' Clear/Silver Plug

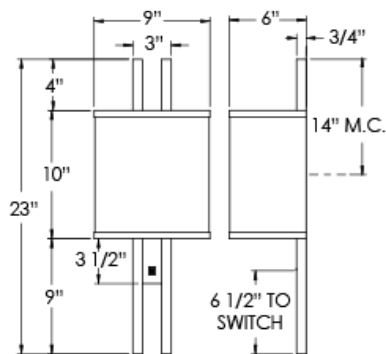
#### LAMPING:

(2)  **GU24** Base Socket, for LED A Style Bulb or Self-Ballasted CFL





# MODEL 6380



#### DIMENSIONS:

H: 23" D: 6" W: 9"

#### FINISH SHOWN:

**PDBZ** Powder Coated Bronze

#### SHADE MATERIAL SHOWN:

CD Ivory Linen with Linda Black Linen Trim with an Opal Matte Acrylic Top and Bottom Diffuser

#### SHADE SIZE:

H: 10" D: 6" W: 9"


#### SWITCH:

On/Off Micro Rocker Switch

#### ADDITIONAL NOTES:

1 1/4" Minimum Space Required Behind Headboard for 6' Clear/Silver Plug

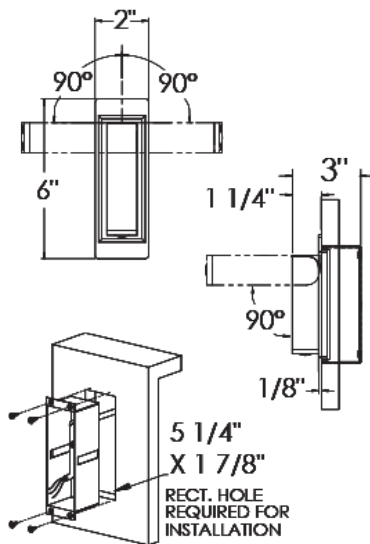
#### LAMPING:

(1)  **GU24** Base Socket, for LED A Style Bulb or Self-Ballasted CFL





# MODEL 6382-M1



#### DIMENSIONS:

H: 6" D: 3" W: 2"

#### FINISH SHOWN:

**ANTB** Antique Brass

#### ALSO AVAILABLE IN:

**BZ** Bronze

**PC** Polished Chrome

**PDMB** Powder Coated Matte Black


**SN** Satin Nickel

Distressed Brass

#### SWITCH:

Momentary Switch turns on when Lamp Pulled out

#### LAMPING:

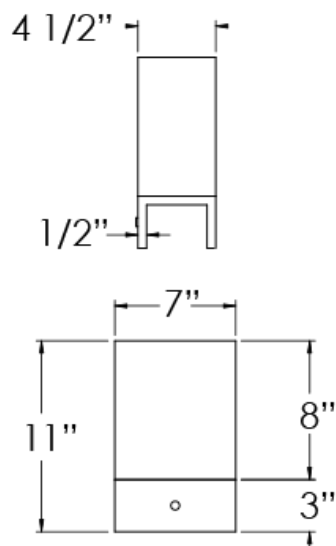
 **L2-30K** 2 Watts, 3000K LED







# MODEL 6384



**DIMENSIONS:**

H: 11" D: 4 1/2" W: 7"

**FINISH SHOWN:**

**MWW**Medium Walnut Wood

**SHADE MATERIAL SHOWN:**

Brussels Cream Linen


**SHADE SIZE:**

H: 8" D: 4 1/2" W: 7"

**SWITCH:**

Round Touch Activated

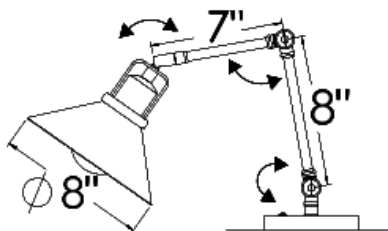
**LAMPING:**

(1)  **GU24** Base Socket, for LED A Style Bulb  
or Self-Ballasted CFL





# MODEL 6385



#### DIMENSIONS:

H: 8" Dia: 5"

#### FINISH SHOWN:

**ANTB** Antique Brass


#### SHADE MATERIAL SHOWN:

**ANTB** Antique Brass

#### SWITCH:

On/Off Micro Rocker Switch

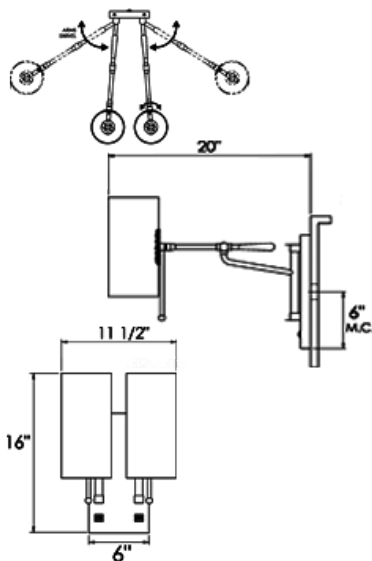
#### LAMPING:

(1)  **Medium** Base Socket, for LED A Style Bulb or Self-Ballasted CFL





# MODEL 6393-M2



#### DIMENSIONS:

H: 16" D: 20" W: 11 1/2"

#### FINISH SHOWN:

**PDBL** Powder Coated Black


#### SHADE MATERIAL SHOWN:

Opal Matte Acrylic

#### SWITCH:

(2) 3-Way Rocker Switch

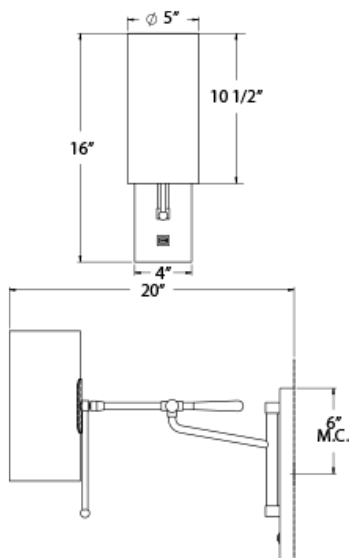
#### LAMPING:

(4)  **Medium** Base Socket, for LED T Style Bulb or 13 Watt Quad CFL





# MODEL 6393



#### DIMENSIONS:

H: 16" D: 20" W: 5"

#### FINISH SHOWN:

**PDBL** Powder Coated Black  
with Antique Brass Accents

#### SHADE MATERIAL SHOWN:

Opal Matte Acrylic


#### SHADE SIZE:

H: 10 1/2" Dia: 5"

#### SWITCH:

3-Way Rocker Switch

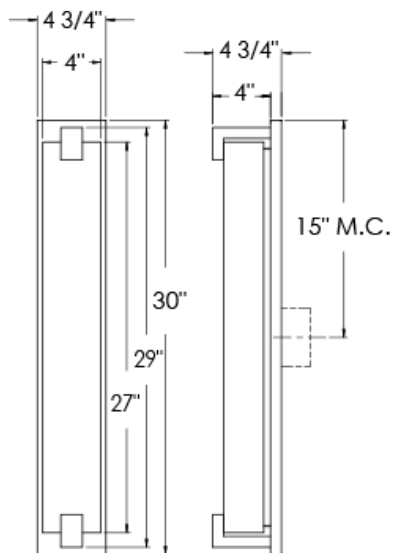
#### LAMPING:

(2)  **Medium** Base Socket, for LED A Style  
Bulb or Self-Ballasted CFL





# MODEL 6406



#### DIMENSIONS:

H: 30" D: 4 3/4" W: 4 3/4"

#### FINISH SHOWN:

**BZ** Bronze

#### ALSO AVAILABLE IN:

**SN** Satin Nickel

#### SHADE MATERIAL SHOWN:

Frosted Glass with Clear Crystal Edges

#### ADDITIONAL FEATURES:

Fixture can be mounted Horizontally or Vertically

#### LAMPING:

 **L24-30K** 24 Watts, 3000K LED





# MODEL 6407



#### DIMENSIONS:

H: 13" D: 4" W: 8 1/2"

#### FINISH SHOWN:

Statuary Bronze


#### SHADE MATERIAL SHOWN:

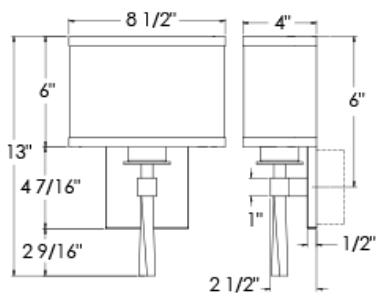
Natural HF Linen

#### SHADE SIZE:

H: 6" D: 4" W: 8 1/2"

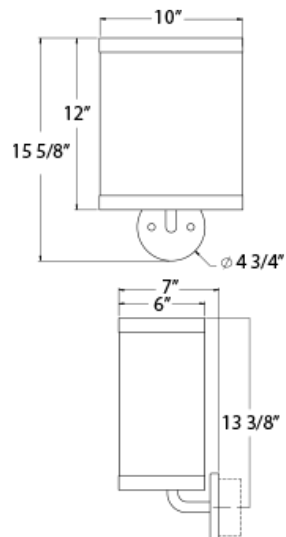
#### LAMPING:

(1)  **Medium** Base Socket, for LED A Style Bulb or Self-Ballasted CFL





# MODEL 6408



#### DIMENSIONS:

H: 15 5/8" D: 7" W: 10"

#### FINISH SHOWN:

**BS** Blackened Steel


#### SHADE MATERIAL SHOWN:

Ivory Linen

#### SHADE SIZE:

H: 12" D: 6" W: 10"

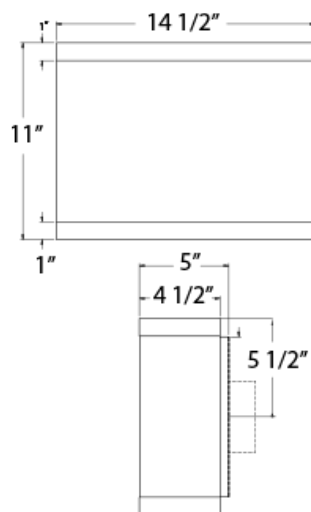
#### LAMPING:

(1)  **Medium** Base Socket, for LED A Style Bulb or Self-Ballasted CFL





# MODEL 6409



#### DIMENSIONS:

H: 11" D: 5" W: 14 1/2"

#### FINISH SHOWN:

**BS** Blackened Steel


#### SHADE MATERIAL SHOWN:

Ivory Linen

#### SHADE SIZE:

H: 11" D: 4 1/2" W: 14 1/2"

#### LAMPING:

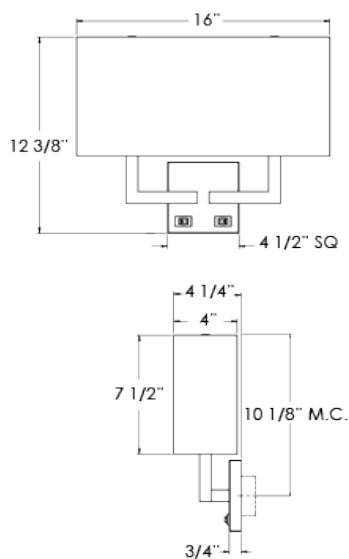
(2)  **Medium** Base Socket, for LED A Style Bulb or Self-Ballasted CFL







# MODEL 6418-2



#### DIMENSIONS:

H: 7 1/2 " D: 4 1/2 " W: 16 "

#### FINISH SHOWN:

Medium Bronze

#### SHADE MATERIAL SHOWN:

Hardback Canvas White Linen with an Opal Matte  
Acrylic Top Diffuser


#### SHADE SIZE:

H: 7 1/2 " D: 4 " W: 16 "

#### SWITCH:

(2) On/Off Rocker Switch at Backplate

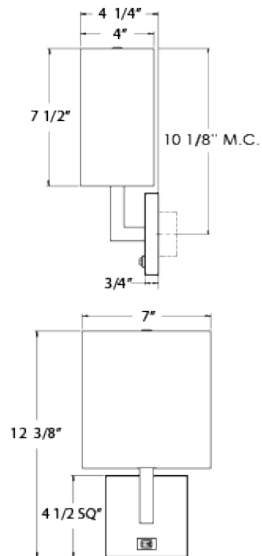
#### LAMPING:

(2)  **Medium** Base Socket, for LED A Style  
Bulb or Self-Ballasted CFL





# MODEL 6418



#### DIMENSIONS:

H:  $12\frac{3}{8}''$  D:  $4\frac{1}{4}''$  W:  $7''$

#### FINISH SHOWN:

Medium Bronze

#### SHADE MATERIAL SHOWN:

Hardback Canvas White Linen


#### SHADE SIZE:

H:  $7\frac{1}{2}''$  D:  $4''$  W:  $7''$

#### SWITCH:

On/Off Rocker Switch at Backplate

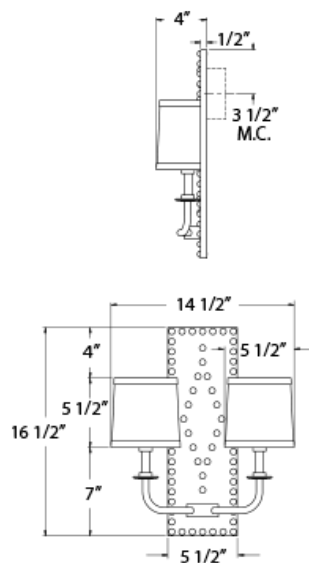
#### LAMPING:

(1)  **Medium** Base Socket, for LED A Style Bulb or Self-Ballasted CFL





# MODEL 6426



#### DIMENSIONS:

H: 16 1/2" D: 4" W: 5 1/2"

#### FINISH SHOWN:

**AGB** Aged Brass

**IL** Ivory Leather


#### SHADE MATERIAL SHOWN:

Brussels Cream

#### SHADE SIZE:

H: 5 1/2" D: 3 1/2" W: 5 1/2"

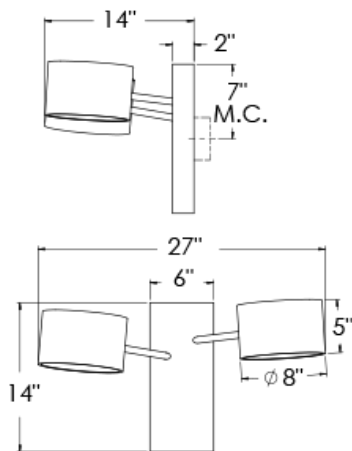
#### LAMPING:

(2)  Candelabra Base (E12) Socket for 9 Watt  
LED





# MODEL 6428-2



#### DIMENSIONS:

H: 14" D: 14" W: 27"

#### FINISH SHOWN:

Chartreuse Yellow/Green

WW Walnut Wood


#### SHADE MATERIAL SHOWN:

Metal

#### SHADE SIZE:

H: 5" Dia: 8"

#### LAMPING:

(2)  GU24 Base Socket, for LED A Style Bulb  
or Self-Ballasted CFL





# MODEL 6431



#### DIMENSIONS:

H: 22 3/4" D: 4 3/4" W: 19 3/4"

#### FINISH SHOWN:

**ANTB** Antique Brass

Statuary Bronze


#### SHADE MATERIAL SHOWN:

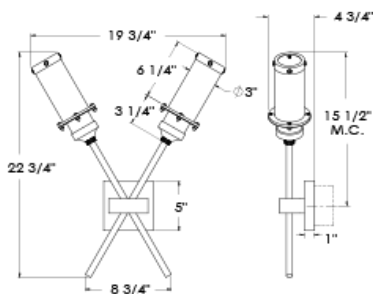
Opal Matte Acrylic

#### SHADE SIZE:

H: 6 1/4" Dia: 3"

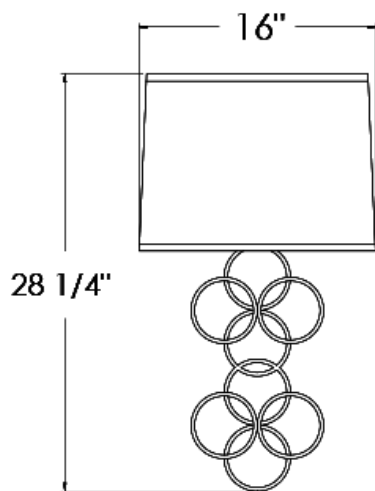
#### LAMPING:

(2)  **GU24** Base Socket, for LED A Style Bulb  
or Self-Ballasted CFL





# MODEL 6433-M1



**DIMENSIONS:**

H: 28 1/4" D: 4" W: 16"

**FINISH SHOWN:**

Distressed Gold


**SHADE MATERIAL SHOWN:**

Hardback Laura White Linen

**SHADE SIZE:**

H: 12" D: " W: 16"

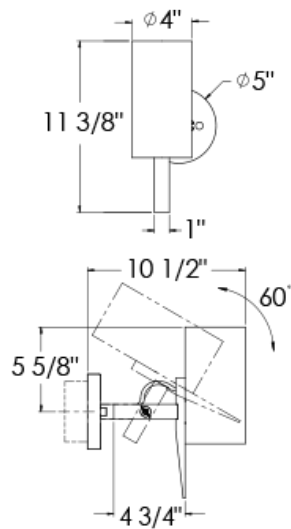
**LAMPING:**

(2)  **GU24** Base Socket, for LED A Style Bulb  
or Self-Ballasted CFL





# MODEL 6434



#### DIMENSIONS:

H: 11 3/8" D: 10 1/2" W: 5"

#### FINISH SHOWN:


Bengal White

Solid Oak Wood

#### SHADE MATERIAL SHOWN:

Bengal White

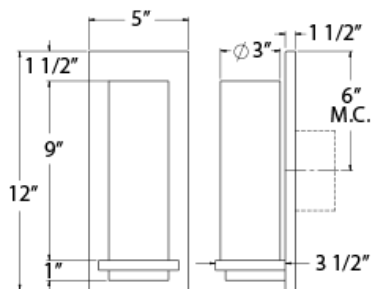
#### LAMPING:

(1)  **Medium** Base Socket, for LED A Style Bulb or Self-Ballasted CFL





# MODEL 6440



#### DIMENSIONS:

H: 12" D: 4" W: 5"


#### FINISH SHOWN:

**BZ** Bronze

#### SHADE MATERIAL SHOWN:

Opal Matte Acrylic

#### LAMPING:

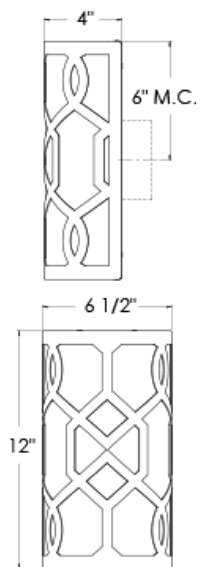
(1)  **Medium** Base Socket, for LED A Style Bulb or Self-Ballasted CFL







# MODEL 6451



#### DIMENSIONS:

H: 12" D: 4" W: 6 1/2"


#### FINISH SHOWN:

**ANTB** Antique Brass

#### SHADE MATERIAL SHOWN:

Opal Matte Acrylic

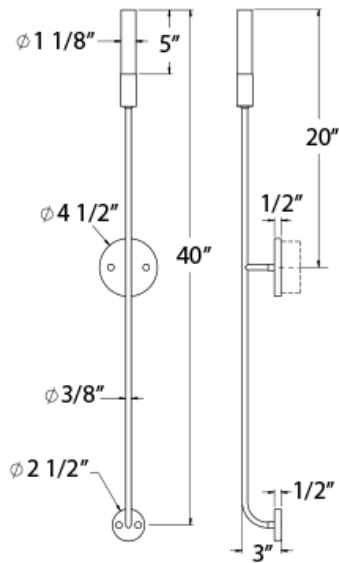
#### LAMPING:

 **L14-35K** 14 Watts, 3500K LED





# MODEL 6453



#### DIMENSIONS:

H: 40 " D: 3 " W: 3 "

#### FINISH SHOWN:

**BB** Brushed Brass


#### SHADE MATERIAL SHOWN:


**CG** Clear Glass

#### ALSO AVAILABLE IN:

2" Diameter Glass Diffuser

#### LAMPING:

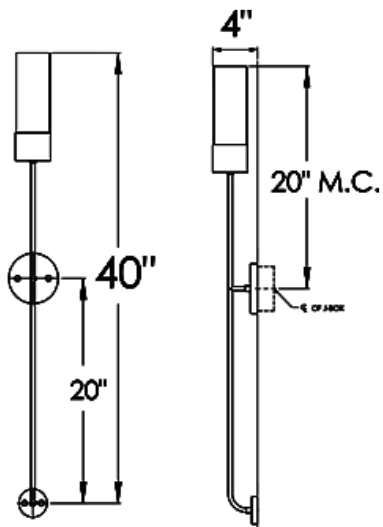
(1)  Candleabra Base (E12) Socket for 1.5 Watt LED T25 Bulb

(1)  Candleabra Base (E12) Socket for 4 Watt LED T25 Bulb





# MODEL 6453-M1



**DIMENSIONS:**

H: 40" Dia: 4"

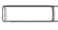
**FINISH SHOWN:**

Matte Black

**SHADE MATERIAL SHOWN:**

Opal Matte Glass

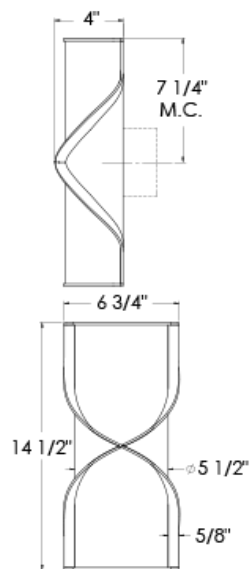
**LAMPING:**

(1)  GU24 Base Socket, for 8W LED T Style Bulb





# MODEL 6455



#### DIMENSIONS:

H: 14 1/2 " D: 4 " W: 6 3/4 "


#### FINISH SHOWN:

Powder Coated Bronze

#### SHADE MATERIAL SHOWN:

Opal Matte Acrylic

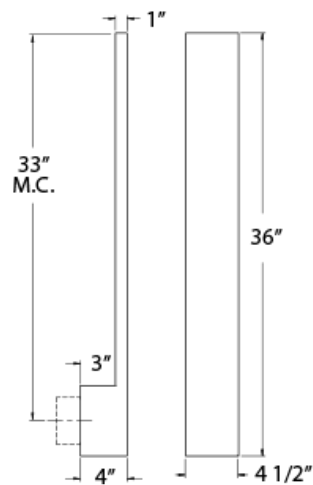
#### LAMPING:

(2)  GU24 Base Socket, for LED A Style Bulb  
or Self-Ballasted CFL





# MODEL 6456




**DIMENSIONS:**

H: 36 " D: 4" W: 4 1/2"

**FINISH SHOWN:**

**PC Polished Chrome**

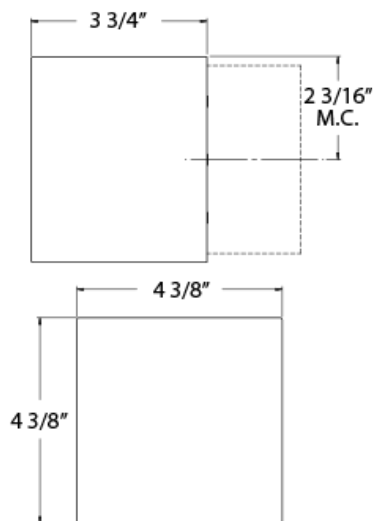
**LAMPING:**

 **L14-35K** 14 Watts, 3500K LED





# MODEL 6457



#### DIMENSIONS:

H: 4 3/8" D: 3 3/4" W: 4 3/8"


#### FINISH SHOWN:

**PDMB** Powder Coated Matte Black

#### SHADE MATERIAL SHOWN:

Opal Matte Acrylic

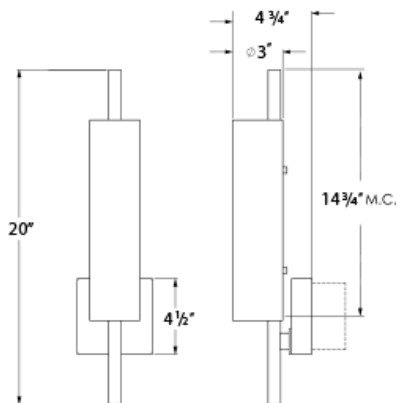
#### LAMPING:

 **Round LED** 1100 Lumens, 3000K





# MODEL 6458



**DIMENSIONS:**

H: 20" D: 4 3/4" W: 4 1/2"


**FINISH SHOWN:**

**PC Polished Chrome**

**SHADE MATERIAL SHOWN:**

Opal Matte Acrylic

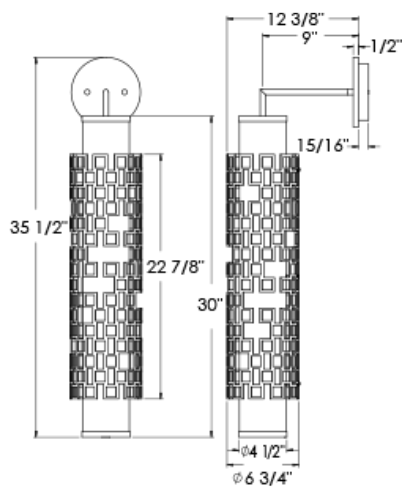
**LAMPING:**

 **L12-27K** 12 Watts, 2700K LED





# MODEL 6466



#### DIMENSIONS:

H: 35 1/2" D: 12 3/8" W: 6 3/4"

#### FINISH SHOWN:

Satin Copper

Matte Black


#### SHADE MATERIAL SHOWN:

Brussels Cream Linen

#### SHADE SIZE:

H: 30" Dia: 4 1/2"

#### LAMPING:

 **L11-30K** 11 Watts, 3000K LED, 1800

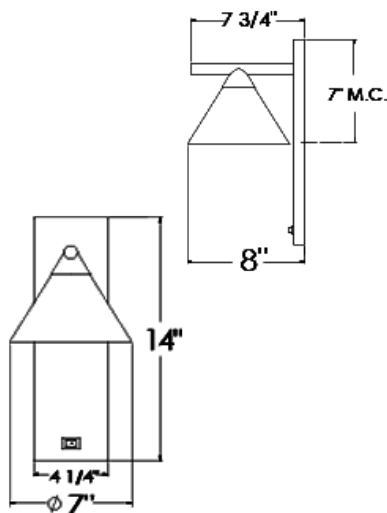
Lumens







# MODEL 6467



#### DIMENSIONS:

H: 14" D: 7 3/4" W: 7"

#### FINISH SHOWN:

**PDBZ** Powder Coated Bronze  
with Aged Brass Accents

#### SHADE MATERIAL SHOWN:

**PDMW** Powder Coated Matte White  
**AGB** Aged Brass

#### SWITCH:

On/Off Rocker Switch

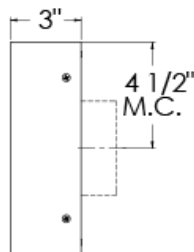
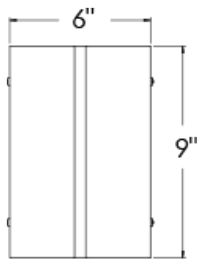
#### LAMPING:

(1)  **GU24** Base Socket, for 10W LED Puck





# MODEL 6471



#### DIMENSIONS:


H: 9" D: 3" W: 6"

#### FINISH SHOWN:

**SB** Satin Brass

Oil Rubbed Brass

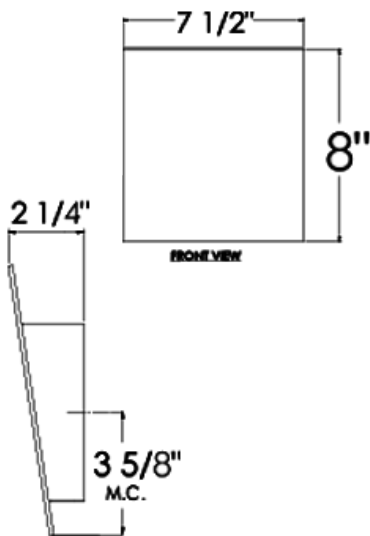
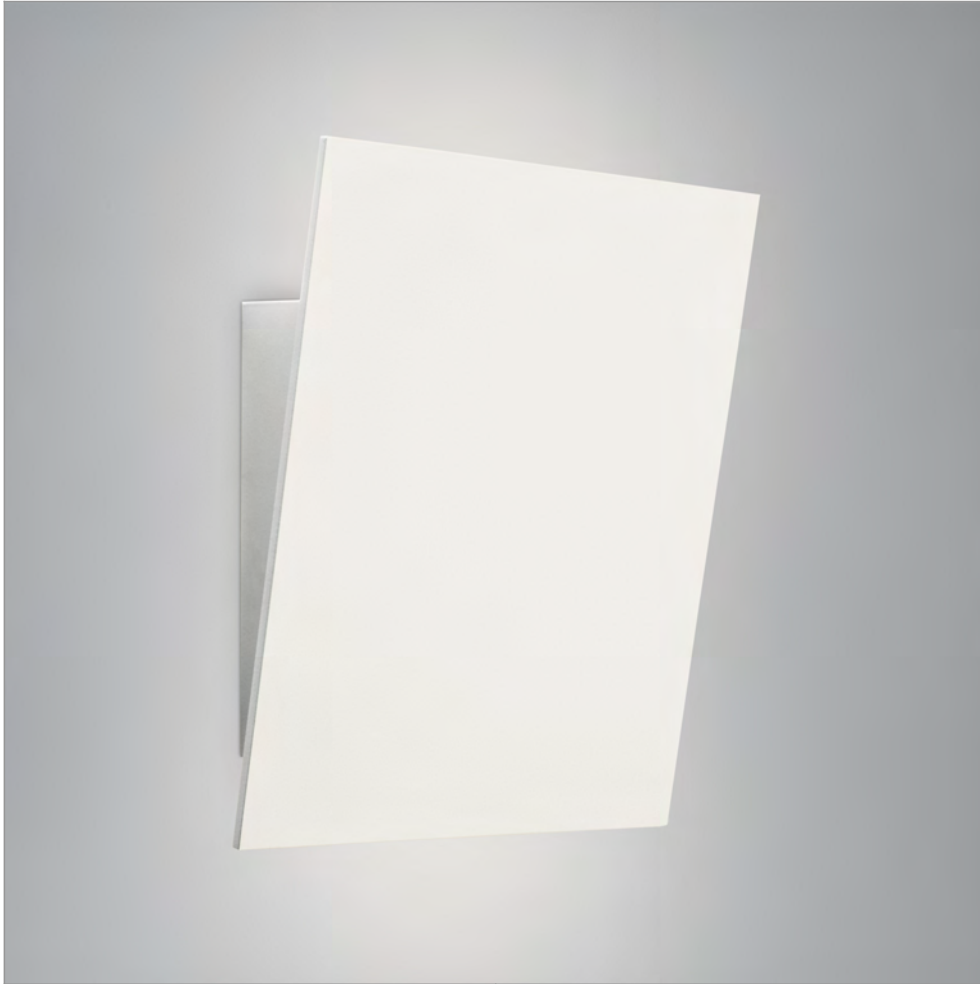
#### LAMPING:

 **L13-30K** 13 Watts, 3000K LED





# MODEL 6474



#### DIMENSIONS:

H: 8" D: 2 1/4" W: 7 1/2"

#### FINISH SHOWN:

**PDMW** Powder Coated Matte White

#### SHADE MATERIAL SHOWN:

Metal **PDMW** Powder Coated Matte White

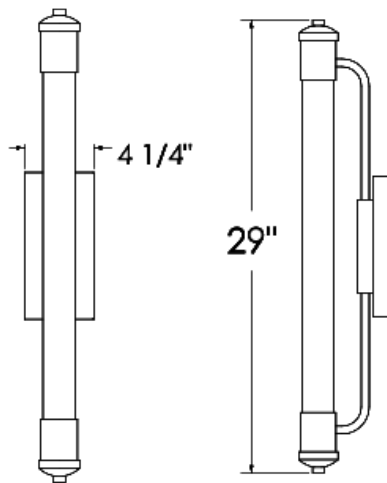
#### LAMPING:

 **Round LED** 1100 Lumens, 3000K





# MODEL 6475



**DIMENSIONS:**

H: 29" D: 5 3/4" W: 4 1/4"


**FINISH SHOWN:**

**PC** Polished Chrome

**SHADE MATERIAL SHOWN:**

Opal Matte Glass

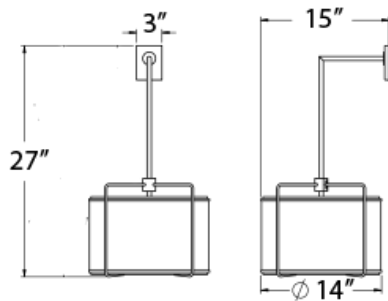
**LAMPING:**

 **14T5** 14 Watt Mini Bi-Pin, T-5 or LED equivalent





# MODEL 6477-M1



#### DIMENSIONS:

H: 27" Dia: 14"

#### FINISH SHOWN:

Powder Coated Bronze

#### SHADE MATERIAL SHOWN:

CD Ivory Linen with an Opal Matte Acrylic Top and Bottom Diffuser


#### SHADE SIZE:

H: 9" Dia: 14"

#### SWITCH:

On/Off Rocker Switch

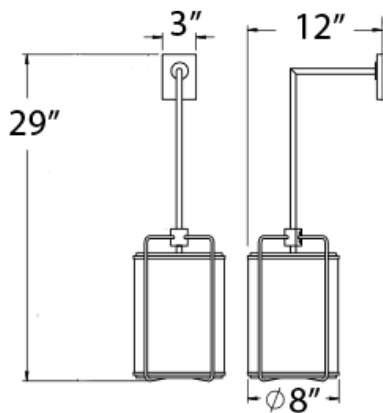
#### LAMPING:

(1)  GU24 Base Socket, for LED A Style Bulb or Self-Ballasted CFL





# MODEL 6477



#### DIMENSIONS:

H: 29" Dia: 8"

#### FINISH SHOWN:

Powder Coated Bronze

#### SHADE MATERIAL SHOWN:

CD Ivory Linen with an Opal Matte Acrylic Top and Bottom Diffuser


#### SHADE SIZE:

H: 11" Dia: 8"

#### SWITCH:

On/Off Rocker Switch

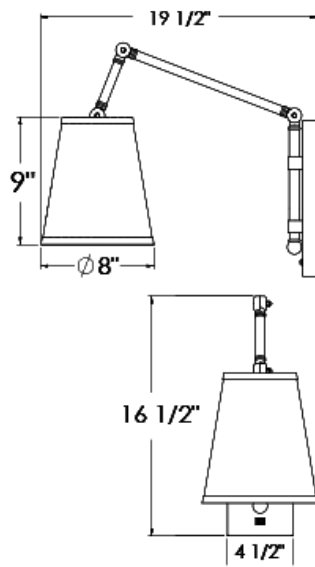
#### LAMPING:

(1)  GU24 Base Socket, for LED A Style Bulb or Self-Ballasted CFL





# MODEL 6479



#### DIMENSIONS:

H: 16 1/2" D: 19 1/2" W: 4 1/2"

#### FINISH SHOWN:

**BZ** Bronze

#### SHADE MATERIAL SHOWN:

Linda Cream Linen


#### SHADE SIZE:

H: 9" Dia: 8"

#### SWITCH:

On/Off Micro Rocker Switch

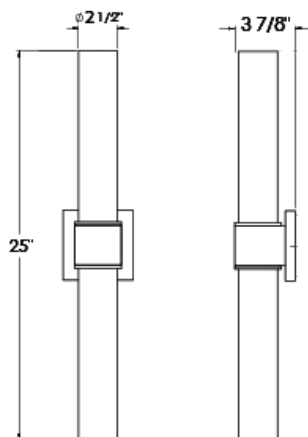
#### LAMPING:

(1)  **Medium** Base Socket, for LED A Style Bulb or Self-Ballasted CFL





# MODEL 6483



**DIMENSIONS:**

H: 25" Dia: 2 1/2"


**FINISH SHOWN:**

**PC Polished Chrome**

**SHADE MATERIAL SHOWN:**

Opal Matte Glass

**LAMPING:**

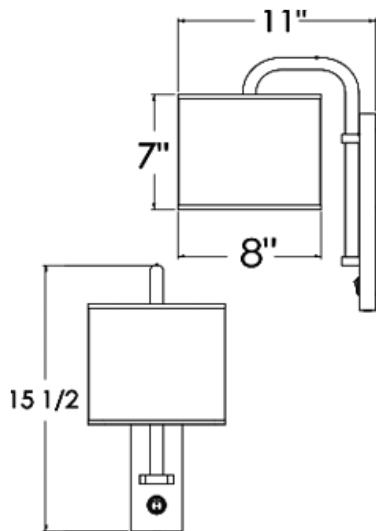
(2)  **GU24** Base Socket, for 8W LED T Style  
Bulb







# MODEL 6486



#### DIMENSIONS:

H: 15 1/2" D: 11" W: 8"

#### FINISH SHOWN:

**BS** Brushed Stainless Steel

**BZ** Bronze

#### SHADE MATERIAL SHOWN:

Hardback Canvas White Linen with an Opal Matte

Acrylic Top Diffuser


#### SHADE SIZE:

H: 7" Dia: 8"

#### SWITCH:

On/Off Rocker Switch

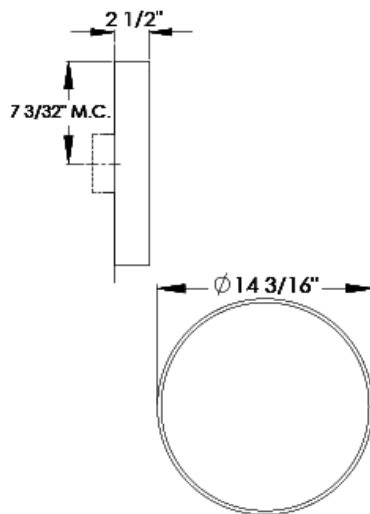
#### LAMPING:

(1)  **Medium** Base Socket, for LED A Style Bulb or Self-Ballasted CFL





# MODEL 6489



#### DIMENSIONS:

H: 14 3/16" D: 2 1/2" W: 14 3/16"


#### FINISH SHOWN:

Powder Coated Revere Pewter

#### SHADE MATERIAL SHOWN:

Opal Matte Acrylic

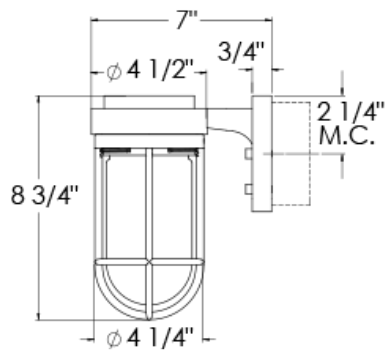
#### LAMPING:

 **L18-27K** 18 Watts, 2700K LED





# MODEL 6493



#### DIMENSIONS:

H: 8 3/4" D: 7" W: 4 1/2"

#### FINISH SHOWN:


**ORBZ** Oil Rubbed Bronze

**SB** Satin Brass

#### SHADE MATERIAL SHOWN:

Hand Blown Glass

#### LAMPING:

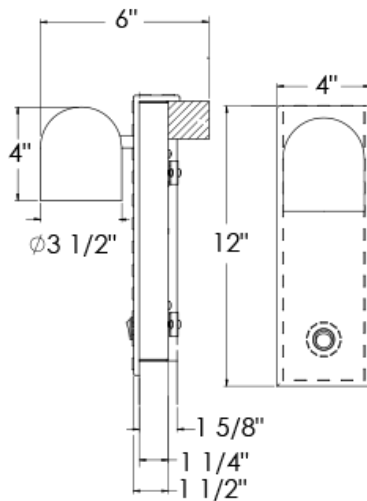
(1)  **Medium** Base Socket, for LED A Style

Antique Bulb





# MODEL 6500



#### DIMENSIONS:

H: 12" D: 6" W: 4"

#### FINISH SHOWN:

Leather Wrap


#### SHADE MATERIAL SHOWN:

PC Polished Chrome

#### SWITCH:

On/Off Rocker Switch

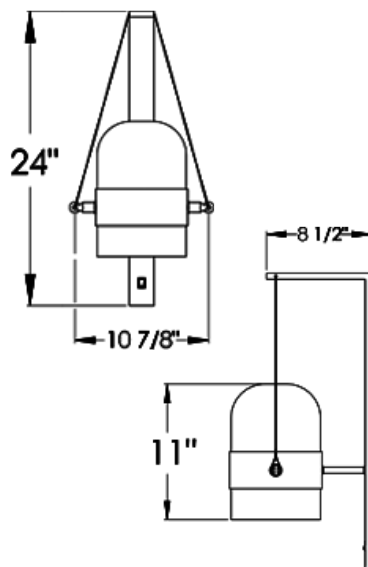
#### LAMPING:

 **L3-30K** 3 Watts, 3000K LED





# MODEL 6502



#### DIMENSIONS:

H: 24" D: 8 1/2" W: 10 7/8"

#### FINISH SHOWN:

Blackened Steel Finish

#### SHADE MATERIAL SHOWN:

Open Bottom Clear Frosted Acrylic Woven Rattan Band


#### SHADE SIZE:

H: 11" Dia: 7 1/4"

#### SWITCH:

On/Off Rocker Switch

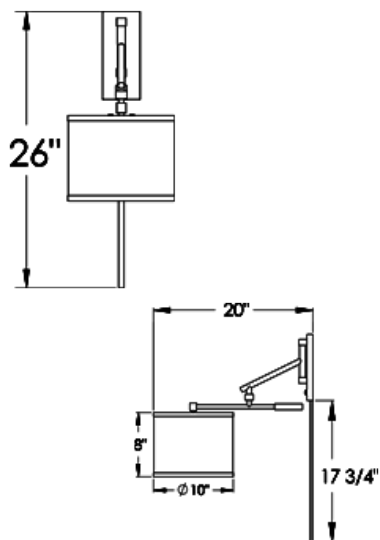
#### LAMPING:

(1)  **Medium** Base Socket, for LED A Style Bulb or Self-Ballasted CFL





# MODEL 6503



**DIMENSIONS:**

H: 26" D: 20" W: 10"

**FINISH SHOWN:**

**PC** Polished Chrome

Matte Black

**SHADE MATERIAL SHOWN:**

Laura White Linen Perforated Metal

Â


**SHADE SIZE:**

H: 8" Dia: 10"

**SWITCH:**

On/Off Rocker Switch at Base

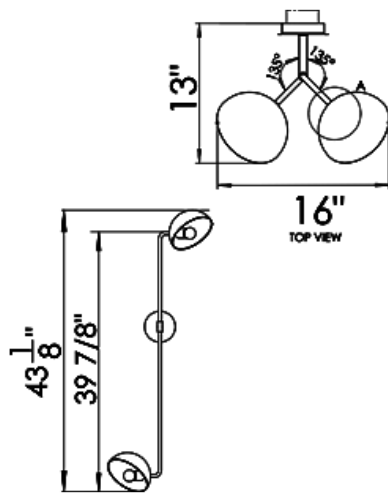
**LAMPING:**

(2)  **GU24** Base Socket, for LED A Style Bulb  
or Self-Ballasted CFL





# MODEL 6505



**DIMENSIONS:**

H: 43 1/8" D: 13" W: 16"

**FINISH SHOWN:**


**SB** Satin Brass

**SHADE MATERIAL SHOWN:**

**SB** Satin Brass

Powder Coated Napa Green Exterior

**LAMPING:**

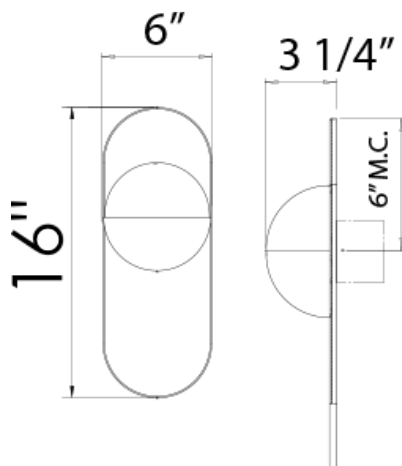
(2)  **Medium** Base Socket, for LED A Style

Bulb or Self-Ballasted CFL





# MODEL 6507



**DIMENSIONS:**

H: 16" D: 3 1/4" W: 6"

**FINISH SHOWN:**


**SB** Satin Brass

**SHADE MATERIAL SHOWN:**

Matte Black

Opal Matte Acrylic

**LAMPING:**

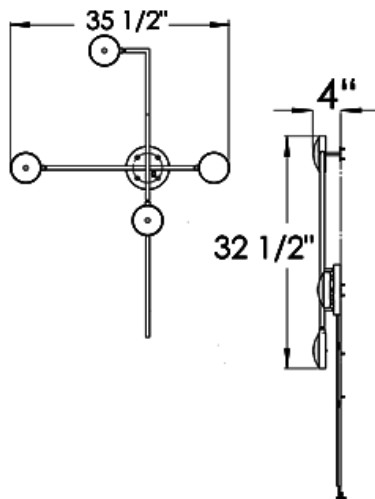
 **L3-27K** 3 Watts, 2700K LED







# MODEL 6508



**DIMENSIONS:**

H: 32 1/2" D: 4" W: 35 1/2"

**FINISH SHOWN:**

Flat Black Steel


**SHADE MATERIAL SHOWN:**

OG Opal Glass

**SWITCH:**

On/Off Micro Rocker Switch

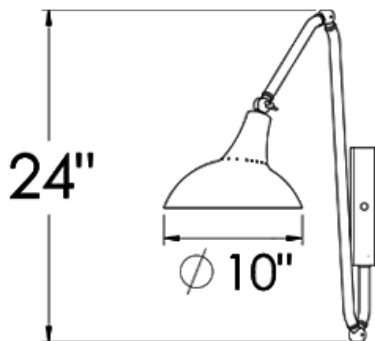
**LAMPING:**

 L8-27K 8 Watts, 2700K LED





# MODEL 6514



#### DIMENSIONS:

H: 24" D: 22" W: 10"

#### FINISH SHOWN:

Powder Coated Flat Black

**ANTB** Antique Brass


#### SWITCH:

Rotary Dimmer at Socket

#### ADDITIONAL NOTES:

**Headboard Mount** - Designed to mount on headboard with 8ft. cord exiting out the backside of mounting plate

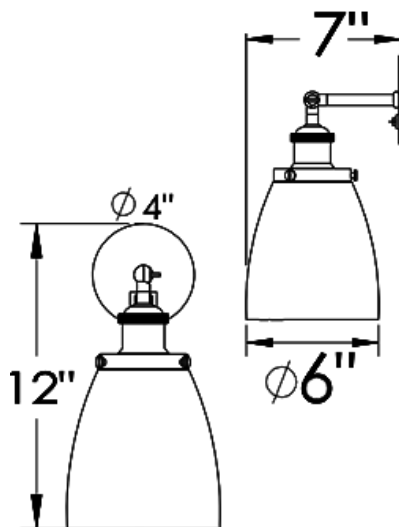
#### LAMPING:

(1)  **Medium** Base Socket, for LED A Style Bulb or Self-Ballasted CFL





# MODEL 6531



#### DIMENSIONS:

H: 12" D: 7" W: 6"

#### FINISH SHOWN:

**ANTB** Antique Brass

**ORBZ** Oil Rubbed Bronze


#### SHADE MATERIAL SHOWN:

Opal Matte Glass

#### SWITCH:

On/Off Rocker Switch

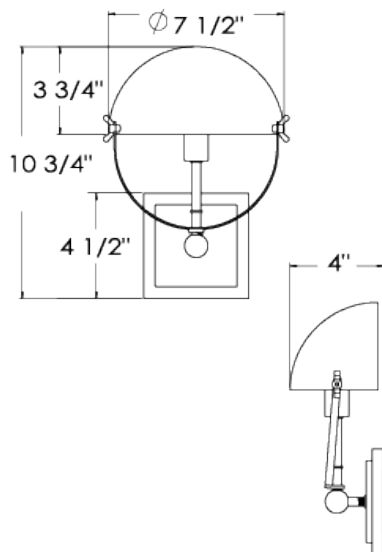
#### LAMPING:

(1)  **Medium** Base Socket, for LED A Style Bulb or Self-Ballasted CFL





# MODEL 6536



#### DIMENSIONS:

H: 10 3/4" D: 4" W: 7 1/2"

#### FINISH SHOWN:

**ANTB** Antique Brass

Matte Black

#### SHADE MATERIAL SHOWN:

**ANTB** Antique Brass

Matte Black

#### SHADE SIZE:

H: 3 3/4" D: 4" W: 7 1/2"

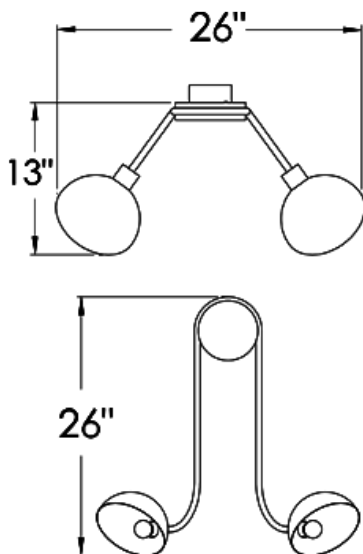
#### LAMPING:

(1)  E-12 Socket for Candelabra Base





# MODEL 6537



**DIMENSIONS:**

H: 26" D: 14" W: 26"


**FINISH SHOWN:**

**SB** Satin Brass

**SHADE MATERIAL SHOWN:**

Powder Coated Napa Green Exterior

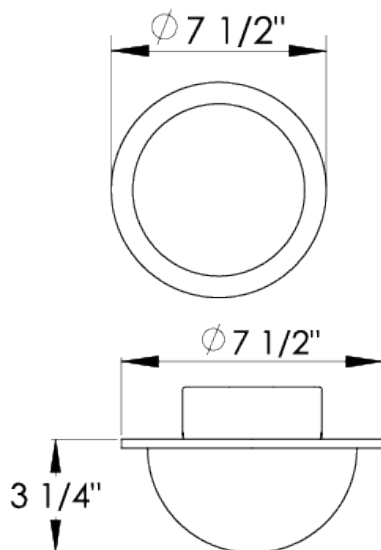
**LAMPING:**

(2)  **Medium** Base Socket, for LED A Style Bulb or Self-Ballasted CFL





# MODEL 6538



#### DIMENSIONS:

H:  $3 \frac{1}{4}$ " Dia:  $7 \frac{1}{2}$ "

#### FINISH SHOWN:

**SB** Satin Brass

Powder Coated White


#### SHADE MATERIAL SHOWN:

Opal Matte Acrylic

#### SHADE SIZE:

H: 3" Dia: 6"

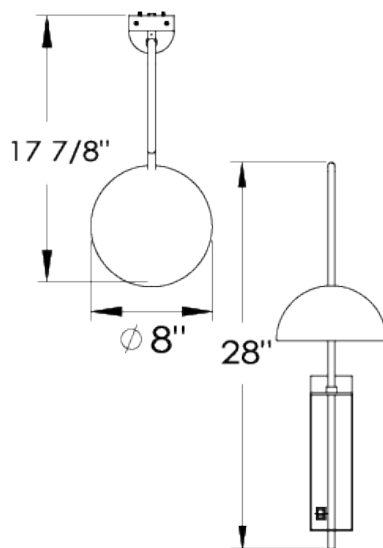
#### LAMPING:

(1)  **L8-27K** 8 Watts, 2700K LED





# MODEL 6541



#### DIMENSIONS:

H: 17 7/8" Dia: 8"

#### FINISH SHOWN:

**PDMB** Powder Coated Matte Black

**SB** Satin Brass

#### SHADE MATERIAL SHOWN:

**PDMB** Powder Coated Matte Black

Powder Coated White


#### SHADE SIZE:

H: " Dia: 8"

#### SWITCH:

On/Off Rocker Switch

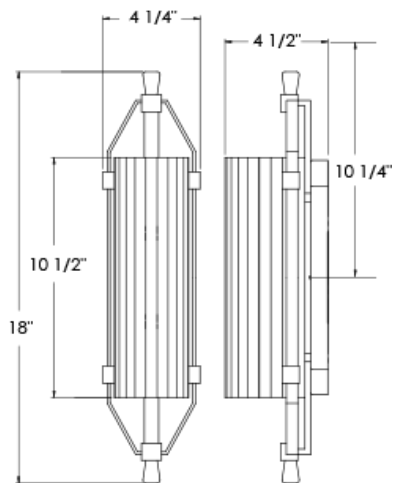
#### LAMPING:

(1)  **Medium** Base Socket, for LED A Style Bulb or Self-Ballasted CFL





# MODEL 6543



**DIMENSIONS:**

H: 18" D: 4 1/2" W: 4 1/4"

**FINISH SHOWN:**

**BB** Brushed Brass

**PDMB** Powder Coated Matte Black

**SHADE MATERIAL SHOWN:**

1/2" Ribbed Glass with Clear Exterior and Frosted Interior

**SHADE SIZE:**

H: 10 1/2" D: 3 1/2" W: 3 1/4"

**LAMPING:**

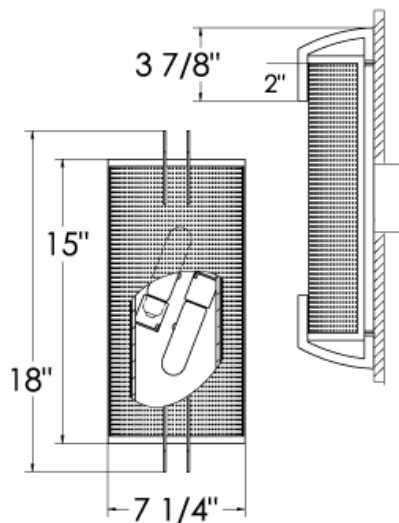
(2)  E-12 Socket for Candelabra Base







# MODEL 6556



#### DIMENSIONS:

H: 18" D: 4" W: 7 1/4"

#### FINISH SHOWN:

**PDMB** Powder Coated Matte Black


#### SHADE MATERIAL SHOWN:

Metal

#### SHADE SIZE:

H: 15" D: 3 1/2" W: 7 1/4"

#### LAMPING:

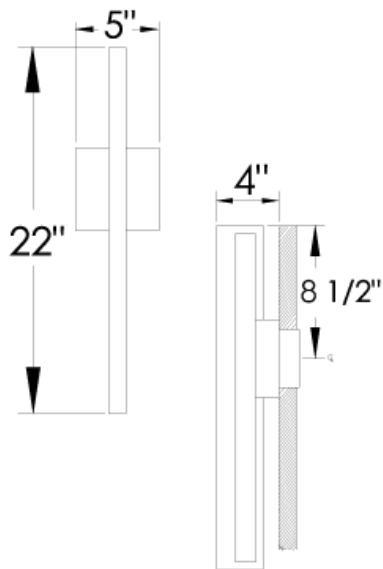
(2)  **Medium** Base Socket, for LED A Style

Bulb or Self-Ballasted CFL





# MODEL 6558



**DIMENSIONS:**

H: 22" D: 4" W: 5"

**FINISH SHOWN:**

**ANTB** Antique Brass


**ALSO AVAILABLE IN:**

**PDMB** Powder Coated Matte Black

**SHADE MATERIAL SHOWN:**

Opal Matte Acrylic

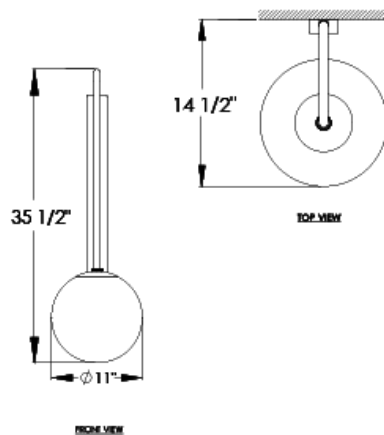
**LAMPING:**

 **L10-27K** 10 Watts, 2700K LED





# MODEL 6567



#### DIMENSIONS:

H: 35 1/2" D: 14 1/2" W: 11"

#### FINISH SHOWN:

**BB** Brushed Brass

#### SHADE MATERIAL SHOWN:

Opal Matte Acrylic


#### SHADE SIZE:

H: 11" Dia: 11"

#### ADDITIONAL FEATURES:

Full Range Dimmer

#### LAMPING:

(1)  **GU24** Base Socket, for LED A Style Bulb or Self-Ballasted CFL





# MODEL 6568



#### DIMENSIONS:

H: 14" D: 4" W: 6"

#### FINISH SHOWN:

**ANTB** Antique Brass


#### SHADE MATERIAL SHOWN:

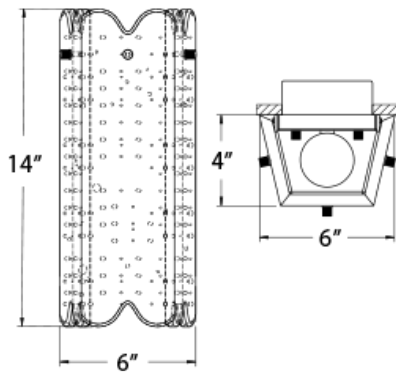
Hand Formed Piastra Glass

#### SHADE SIZE:

H: 14" D: 4" W: 6"

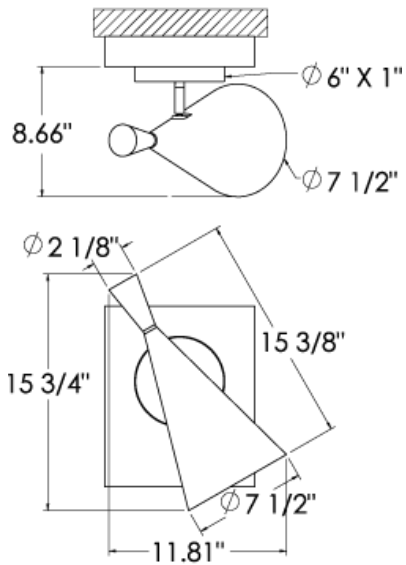
#### LAMPING:

(1)  **Medium** Base Socket, for LED A Style Bulb or Self-Ballasted CFL





# MODEL 6573



#### DIMENSIONS:

H: 15 3/4" D: 8.66" W: 11.81"

#### FINISH SHOWN:

**Wh** Powder Coated White

**SB** Satin Brass

#### SHADE MATERIAL SHOWN:

Metal

#### SWITCH:

Rotary Dimmer at Socket

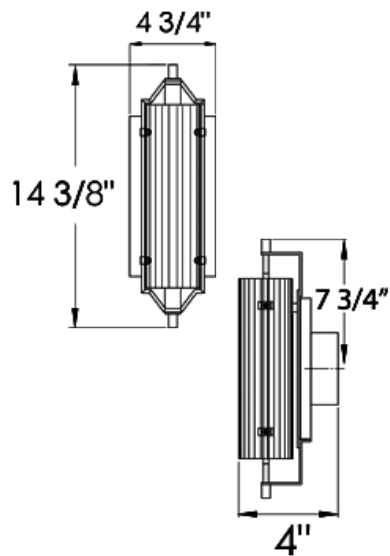
#### LAMPING:

(1)  E-12 Socket for Candelabra Base





# MODEL 6584



#### DIMENSIONS:

H: 14 3/8" D: 4" W: 4 3/4"


#### FINISH SHOWN:

**PDBZ** Powder Coated Bronze

#### SHADE MATERIAL SHOWN:

Frosted Acrylic

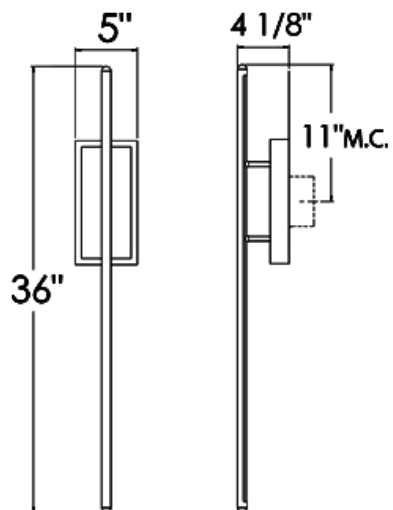
#### LAMPING:

(1)  **GU24** Base Socket, for LED A Style Bulb  
or Self-Ballasted CFL





# MODEL 6587



**DIMENSIONS:**

H: 36" D: 4 1/8" W: 5"

**FINISH SHOWN:**


**ANTB** Antique Brass

**ORBZ** Oil Rubbed Bronze

**SHADE MATERIAL SHOWN:**

Opal Acrylic Diffuser

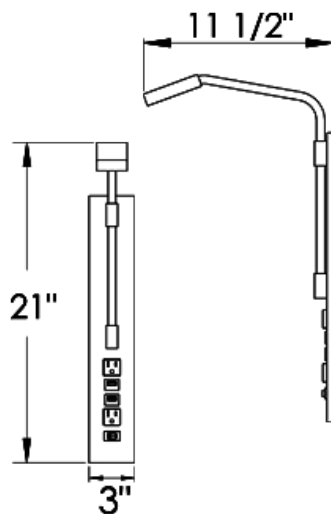
**LAMPING:**

 **L12-27K** 12 Watts, 2700K LED





# MODEL 6588



#### DIMENSIONS:

H: 21" D: 11 1/2" W: 3"

#### FINISH SHOWN:

**ANTB** Antique Brass

**ORBZ** Oil Rubbed Bronze

#### SHADE MATERIAL SHOWN:

**ANTB** Antique Brass

Opal Acrylic Diffuser

#### SWITCH:

On/Off Rocker Switch


2 Convenience Outlets

2 USB Ports

#### ADDITIONAL NOTES:

1 1/2" Recessed Electrical Housing

#### LAMPING:

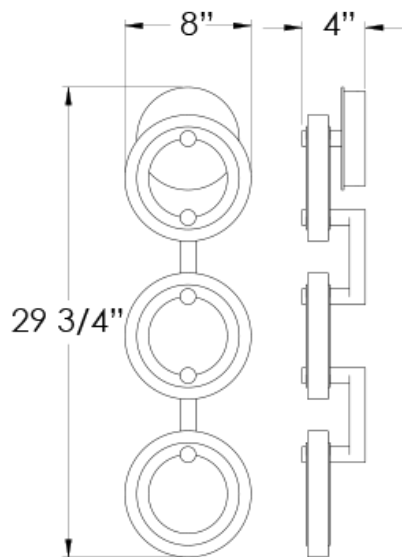
 **L3-30K** 3 Watts, 3000K LED







# MODEL 6606-8-3



#### DIMENSIONS:

H: 29 3/4" D: 4" W: 8"


#### FINISH SHOWN:

**BA** Brushed Aluminum

#### SHADE MATERIAL SHOWN:

Opal Matte Acrylic

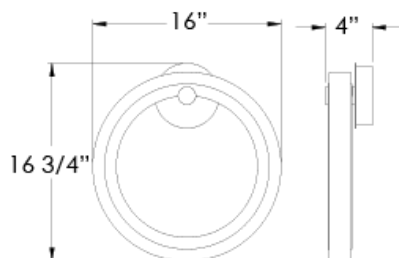
#### LAMPING:

 **L28-30K** 28 Watts, 3000K LED, 2000 Lumens





# MODEL 6606-16



#### DIMENSIONS:

H: 16 3/4" D: 4" W: 16"


#### FINISH SHOWN:

**BA** Brushed Aluminum

#### SHADE MATERIAL SHOWN:

Opal Matte Acrylic

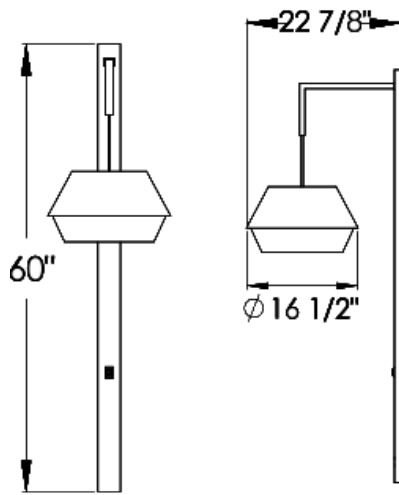
#### LAMPING:

 **L22-30K** 22 Watts, 3000K LED, 1600 Lumens





# MODEL 6607



#### DIMENSIONS:

H: 60" D: 22 7/8" W: 6"

#### FINISH SHOWN:

**SB** Satin Brass

Matte Black

#### SHADE MATERIAL SHOWN:

with an Opal Matte Acrylic Top and Bottom Diffuser

Laura White Linen


#### SHADE SIZE:

H: 9 1/2" Dia: 16 1/2"

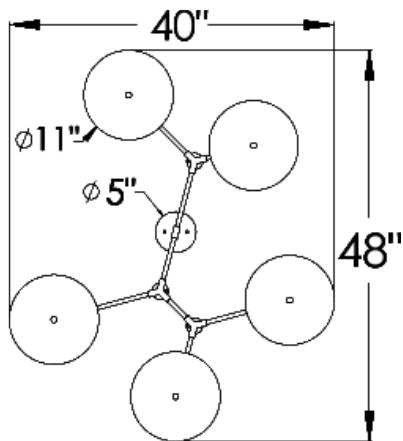
#### SWITCH:

On/Off Rocker Switch

#### LAMPING:

(2)  **Medium** Base Socket, for LED A Style Bulb or Self-Ballasted CFL





DIMENSIONS:

H: 48" D: 4" W: 40"


FINISH SHOWN:

Faux Nickel

SHADE MATERIAL SHOWN:

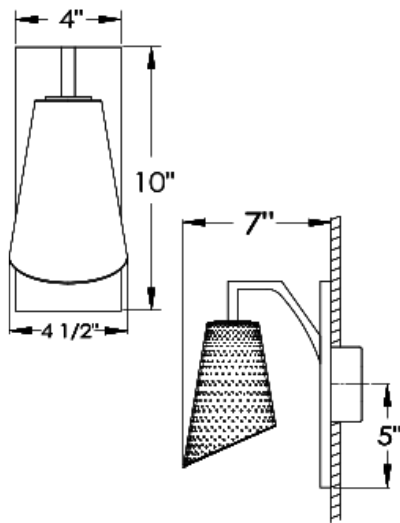
Opal Matte Glass

LAMPING:

 **L30-30K** 30 Watts, 3000K LED



# MODEL 6613



**DIMENSIONS:**

H: 10" D: 7" W: 4 1/2"


**FINISH SHOWN:**

**ORBZ** Oil Rubbed Bronze

**SHADE MATERIAL SHOWN:**

Clear Seeded Glass

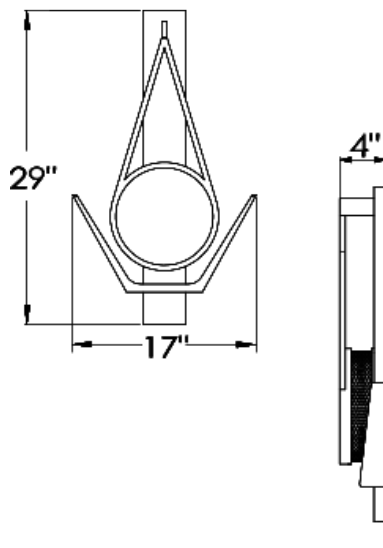
**LAMPING:**

(1)  Candelabra Base (E12) Socket for 4 Watt LED T25 Bulb





# MODEL 6614



**DIMENSIONS:**

H: 29" D: 4" W: 17"


**FINISH SHOWN:**

**ORBZ** Oil Rubbed Bronze

**SHADE MATERIAL SHOWN:**

Faux Alabaster Acrylic Diffuser

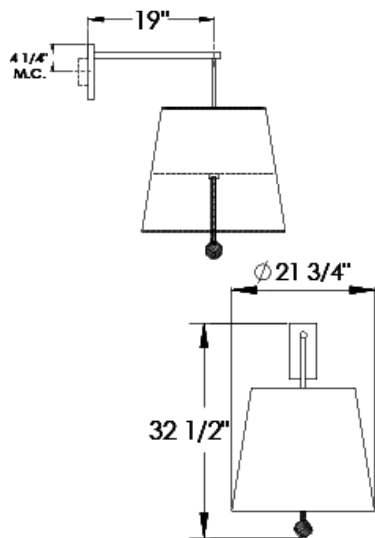
**LAMPING:**

(3)  E-12 Socket for Candelabra Base





# MODEL 6617



#### DIMENSIONS:

H: 32 1/2" Dia: 21 3/4"

#### FINISH SHOWN:

Powder Coated to match Benjamin Moore Flint AF-560  
Satin Copper


#### SHADE MATERIAL SHOWN:

with an Opal Matte Acrylic Bottom Diffuser

#### SHADE SIZE:

H: 18 3/4" Dia: 21 3/4"

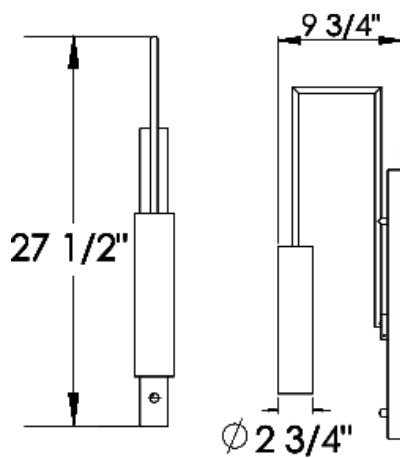
#### LAMPING:

(2)  **Medium** Base Socket, for LED A Style  
Bulb or Self-Ballasted CFL





# MODEL 6624



#### DIMENSIONS:

H: 27 1/2" Dia: 2 3/4"


#### FINISH SHOWN:

Custom Light Bronze

#### SWITCH:

Rotary Dimmer at Socket

#### LAMPING:

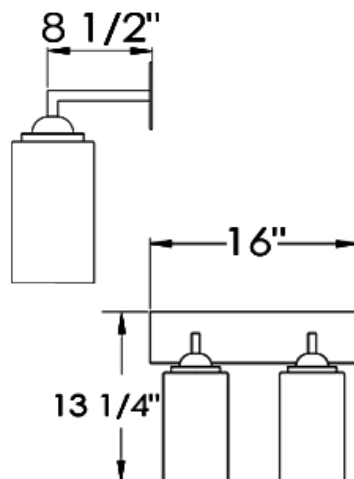
(1)  **Medium** Base Socket, for LED A Style Bulb or Self-Ballasted CFL







## MODEL 6636-2



**DIMENSIONS:**

H: 13 1/4" D: 8 1/2" W: 16"

**FINISH SHOWN:**

**BS** Brushed Stainless Steel

**SHADE MATERIAL SHOWN:**

Opal Matte Acrylic

Clear Acrylic

**SHADE SIZE:**

H: 8 3/8" Dia: 5"

**LAMPING:**

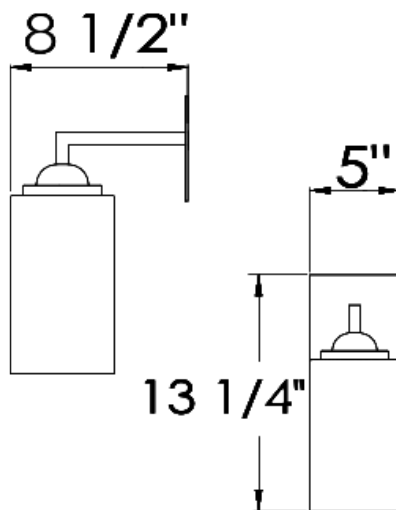
(2)  **Medium** Base Socket, for 26 Watt

Self-Ballasted Quad Tube Compact Fluorescent or T  
Type LED





# MODEL 6636



**DIMENSIONS:**

H: 13 1/4" D: 8 1/2" W: 5"

**FINISH SHOWN:**

**BS** Brushed Stainless Steel

**SHADE MATERIAL SHOWN:**

Opal Matte Acrylic

Clear Acrylic

**SHADE SIZE:**

H: 8 1/2" Dia: 5"

**LAMPING:**

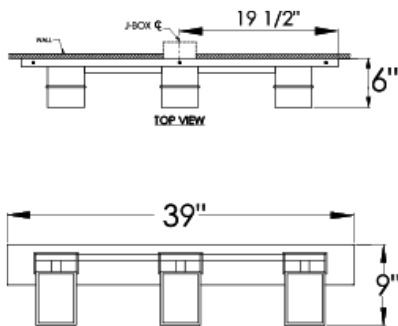
(1)  **Medium** Base Socket, for 26 Watt

Self-Ballasted Quad Tube Compact Fluorescent or T  
Type LED





# MODEL 6638-3



#### DIMENSIONS:

H: 9" D: 6" W: 39"

#### FINISH SHOWN:

Powder Coated Statuary Bronze

Faux Wood Medium Walnut


#### SHADE MATERIAL SHOWN:

Clear Glass

#### SHADE SIZE:

H: 6" D: 6" W: 4"

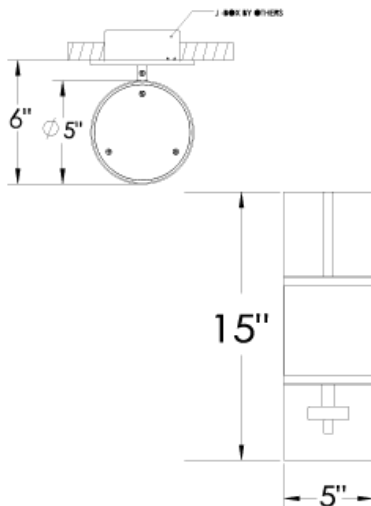
#### LAMPING:

(3)  **Medium** Base Socket, for LED A Style  
Antique Bulb





# MODEL 6645



#### DIMENSIONS:

H: 15" D: 6" W: 5"

#### FINISH SHOWN:

**PN** Polished Nickel

Matte Quartz Grey


#### SHADE MATERIAL SHOWN:

Shantung White with an Opal Matte Acrylic Top and Bottom Diffuser

#### SHADE SIZE:

H: 6" D: 6" W: 5"

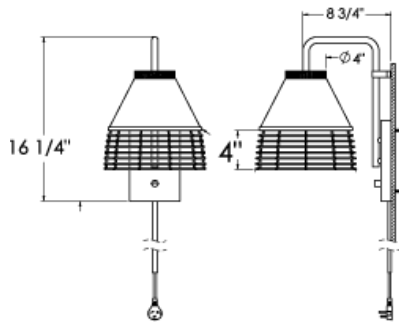
#### LAMPING:

(1)  **Medium** Base Socket, for LED A Style Bulb or Self-Ballasted CFL





# MODEL 6647



#### DIMENSIONS:

H: 16 1/4" D: 8 3/4" W: 10"

#### FINISH SHOWN:

**ANTB** Antique Brass

#### SHADE MATERIAL SHOWN:

CD Ivory Woven Rattan Band


#### SHADE SIZE:

H: 9" Dia: 10"

#### SWITCH:

Full Range Dimmer

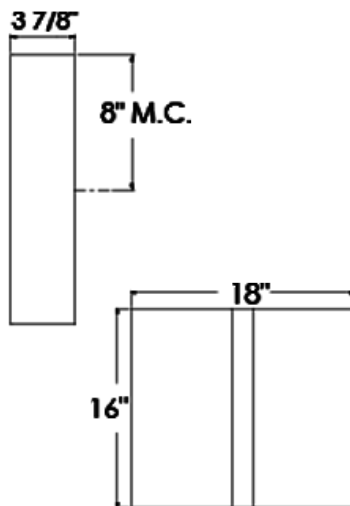
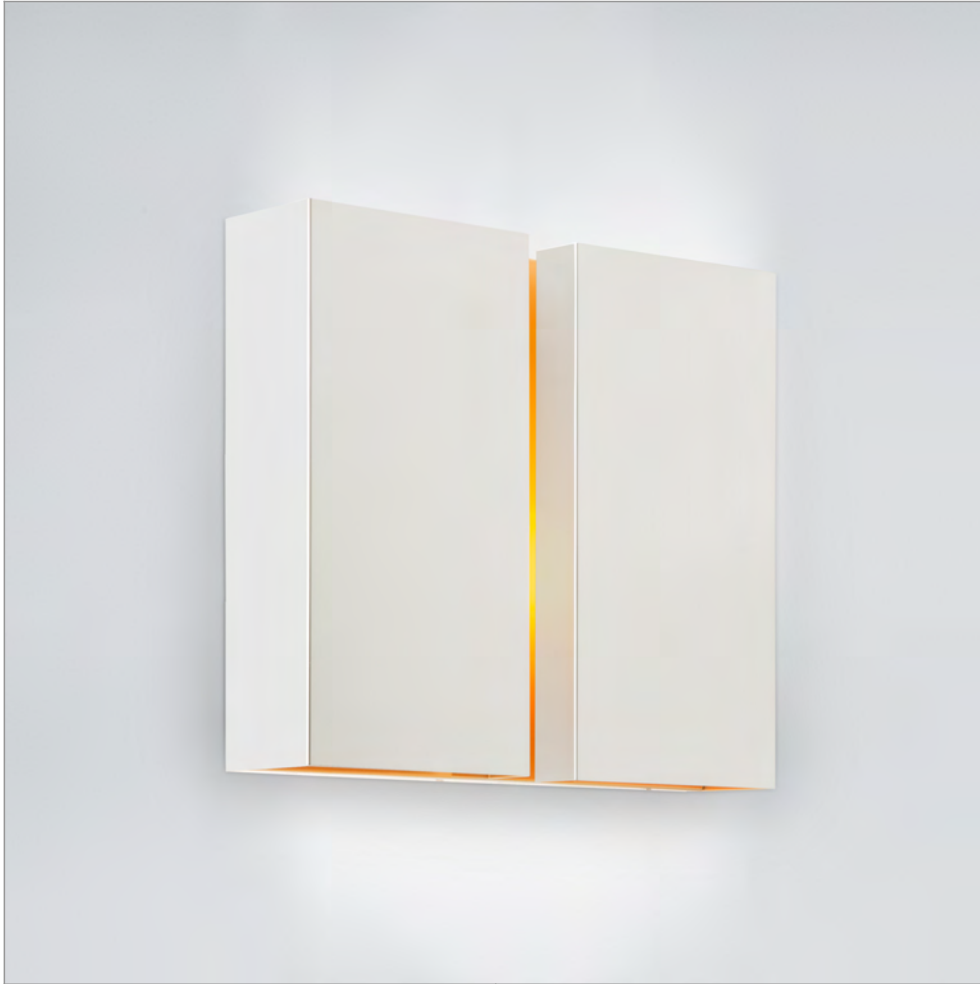
#### LAMPING:

(1)  **GU24** Base Socket, for LED A Style Bulb  
or Self-Ballasted CFL





# MODEL 6726



#### DIMENSIONS:


H: 16" D: 3 7/8" W: 18"

#### FINISH SHOWN:

Powder Coated Silver

Powder Coated Sun Gold

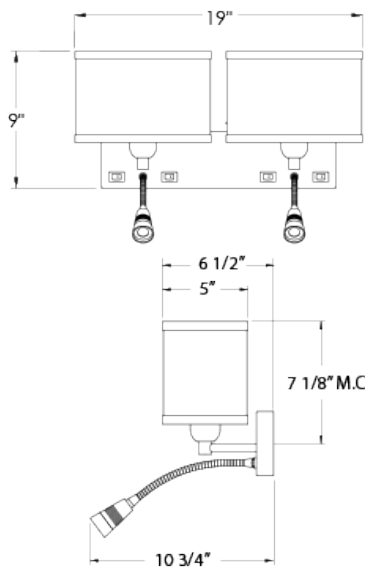
#### LAMPING:

(2)  GU24 Base Socket, for LED A Style Bulb  
or Self-Ballasted CFL





# MODEL 6833-2



#### DIMENSIONS:

H: 9" D: 10 3/4" W: 19"

#### FINISH SHOWN:

**BCH** Brushed Chrome

#### SHADE MATERIAL SHOWN:

Shantung White


#### SHADE SIZE:


H: 6" D: 5" W: 9"

#### SWITCH:

(4) On/Off Rocker Switch at Backplate

#### LAMPING:

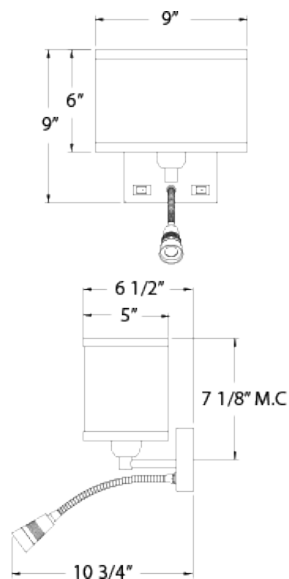
 **L4-27K** 4 Watts, 2700K LED

(2)  **Medium** Base Socket, for LED A Style Bulb or Self-Ballasted CFL





# MODEL 6833



#### DIMENSIONS:

H: 9" D: 6 1/2" W: 9"

#### FINISH SHOWN:

**BCH** Brushed Chrome

#### SHADE MATERIAL SHOWN:

Shantung White


#### SHADE SIZE:


H: 6" D: 5" W: 9"


#### SWITCH:

2 On/Off Rocker Switches

#### LAMPING:

(1)  **Medium** Base Socket, for LED A Style Bulb or Self-Ballasted CFL

(1)  **GU24** Base Socket, for LED A Style Bulb or Self-Ballasted CFL

 **L4-27K** 4 Watts, 2700K LED

