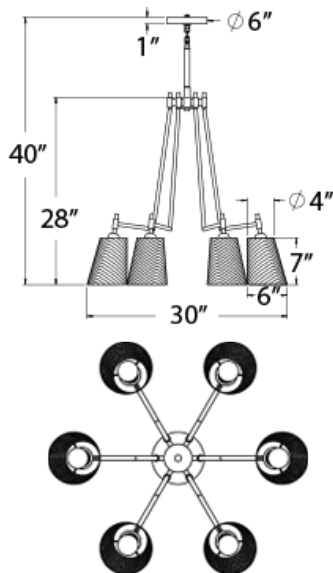


# HANGING FIXTURES





**DIMENSIONS:**

H: 40 " D: 30 " W: 30 "

**FINISH SHOWN:**

**ANTB** Antique Brass

**PDMB** Powder Coated Matte Black


**SHADE MATERIAL SHOWN:**

Perforated Metal

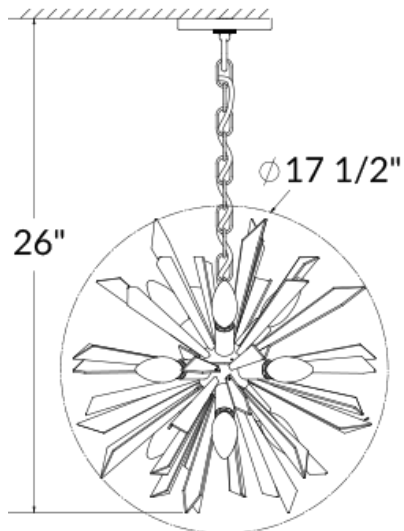
**SHADE SIZE:**

H: 7" Dia: 6"

**LAMPING:**

**(6)**  **Medium** Base Socket, for LED A Style

Bulb or Self-Ballasted CFL




DIMENSIONS:

H: 26" Dia: 17 1/2"

FINISH SHOWN:

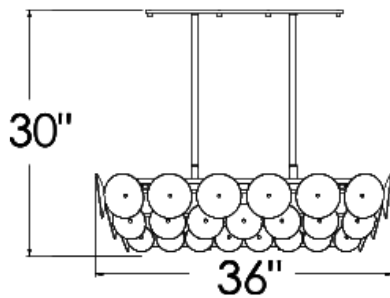
**BB** Brushed Brass

LAMPING:

(10)  E-12 Socket for Candelabra Base



# MODEL 1414



**DIMENSIONS:**

H: 30" D: 14" W: 36"


**FINISH SHOWN:**

**SN** Satin Nickel

**SHADE MATERIAL SHOWN:**

Seedy Glass

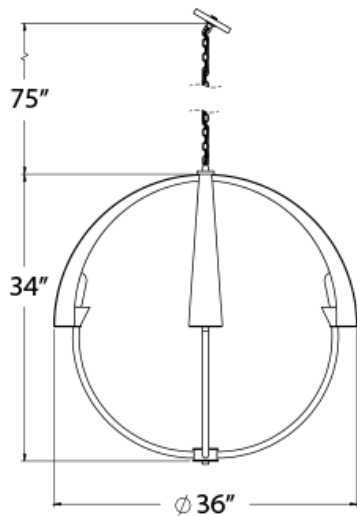
**LAMPING:**

(3)  **Medium** Base Socket, for LED A Style Bulb or Self-Ballasted CFL





# MODEL 1415




#### DIMENSIONS:

H: 34" Dia: 36"

#### FINISH SHOWN:

**PDBZ** Powder Coated Bronze

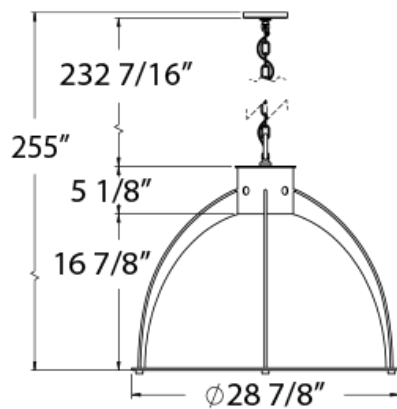
#### LAMPING:

(4)  **Medium** Base Socket, for LED A Style Bulb or Self-Ballasted CFL





# MODEL 1418



#### DIMENSIONS:

H: 22" Dia: 28 7/8"


#### FINISH SHOWN:

**PDMB** Powder Coated Matte Black  
Powder Coated Turquoise

#### SHADE MATERIAL SHOWN:

Opal Matte Acrylic

#### LAMPING:

(1)  **GU24** Base Socket, for LED A Style Bulb  
or Self-Ballasted CFL





# MODEL 1420



#### DIMENSIONS:

H: 63" Dia: 40"


#### FINISH SHOWN:

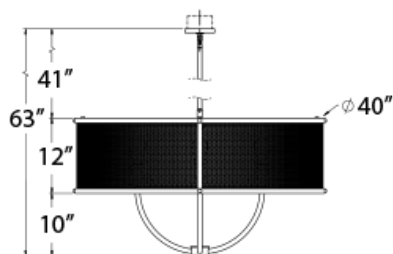
**PDBZ** Powder Coated Bronze

#### SHADE MATERIAL SHOWN:

Perforated Metal

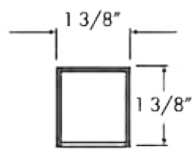
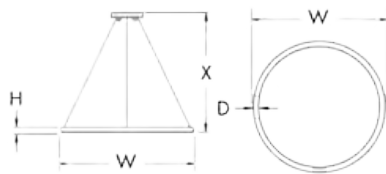
#### LAMPING:

(4)  **Medium** Base Socket, for LED A Style Bulb or Self-Ballasted CFL





# MODEL 1452-32



FIXTURE CROSS-SECTION

#### DIMENSIONS:

H: 1 3/8" D: 1 3/8" W: 32"

#### FINISH SHOWN:

**BA** Brushed Aluminum

#### ALSO AVAILABLE IN:

**PDMB** Powder Coated Matte Black

#### SHADE MATERIAL SHOWN:

Opal Matte Acrylic

#### LAMPING:

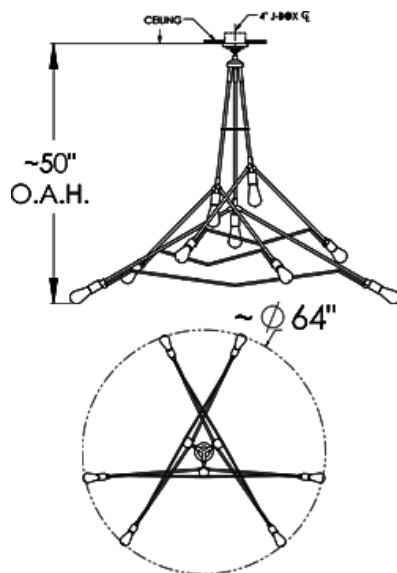
 **L46-30K** 46 Watts, 3000K LED







# MODEL 1505



#### DIMENSIONS:


H: 50" Dia: 64"

#### FINISH SHOWN:

**PDMB** Powder Coated Matte Black

**BB** Brushed Brass

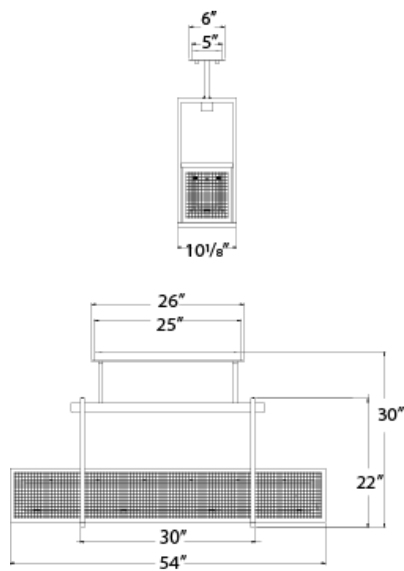
#### LAMPING:

(9)  **Medium** Base Socket, for LED A Style Bulb or Self-Ballasted CFL





# MODEL 1506



#### DIMENSIONS:

H: 30" D: 10 1/8" W: 54"


#### FINISH SHOWN:


**BZ** Bronze

#### SHADE MATERIAL SHOWN:

Mesh Outer Cage

#### LAMPING:

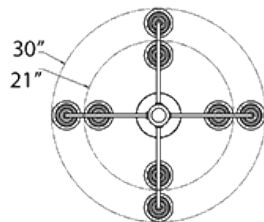
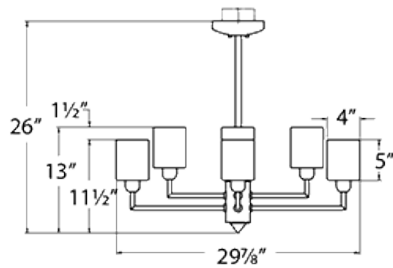
(6)  **Medium** Base Socket, for LED A Style Bulb or Self-Ballasted CFL

(2)  **28T5** 28 Watt Mini Bi-Pin, T-5





# MODEL 1510



#### DIMENSIONS:

H: 26" Dia: 30"

#### FINISH SHOWN:

**PC** Polished Chrome


#### ALSO AVAILABLE IN:

**SN** Satin Nickel

#### SHADE MATERIAL SHOWN:

Opal Matte Glass

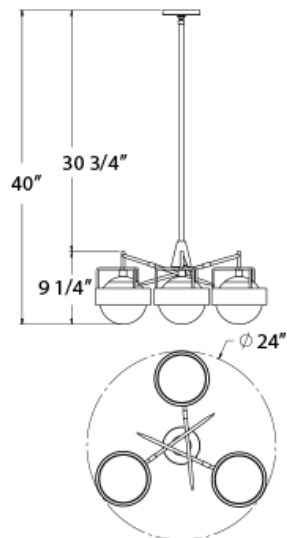
#### LAMPING:

**(8)**  **Medium** Base Socket, for LED A Style Bulb or Self-Ballasted CFL





# MODEL 1856-3



**DIMENSIONS:**

H: 40" Dia: 24"


**FINISH SHOWN:**

**BB** Brushed Brass

**SHADE MATERIAL SHOWN:**

Frosted Glass

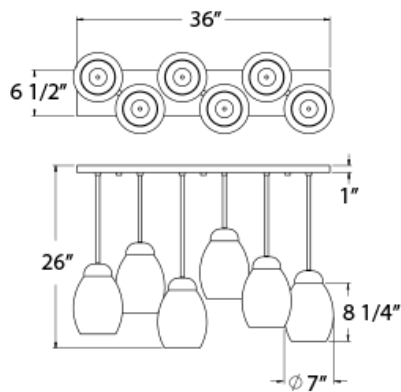
**LAMPING:**

(3)  E-12 Socket for Candelabra Base





# MODEL 1857



#### DIMENSIONS:

H: 26" D: 6 1/2" W: 36"


#### FINISH SHOWN:

SN Satin Nickel

#### SHADE MATERIAL SHOWN:

Hand Blown Glass

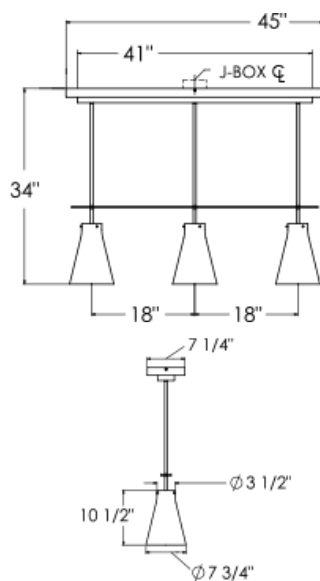
#### LAMPING:

(6)  Medium Base Socket, for LED A Style  
Antique Bulb





# MODEL 1858



#### DIMENSIONS:

H: 34" D: 7 3/4" W: 45"

#### FINISH SHOWN:

**PC** Polished Chrome

#### ALSO AVAILABLE IN:

**SN** Satin Nickel


#### SHADE MATERIAL SHOWN:

Opal Matte Glass

#### SHADE SIZE:

H: 10 1/2" Dia: 7 3/4"

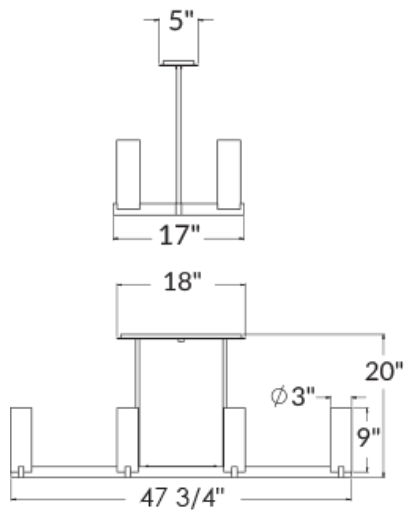
#### LAMPING:

**(3)**  **Medium** Base Socket, for LED A Style Bulb or Self-Ballasted CFL





# MODEL 1932



#### DIMENSIONS:

H: 36" D: 17" W: 47 3/4"


#### FINISH SHOWN:

**BA** Brushed Aluminum

#### SHADE MATERIAL SHOWN:

Opal Matte Acrylic

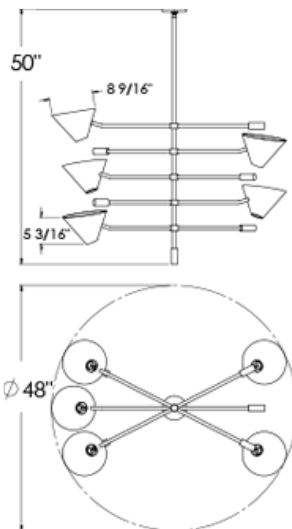
#### LAMPING:

(8)  GU24 Base Socket, for LED T Style Bulb  
or 13 Watt Quad CFL





# MODEL 1946



**DIMENSIONS:**

H: 50" Dia: 48"


**FINISH SHOWN:**

**AGB** Aged Brass

**SHADE MATERIAL SHOWN:**

**PDMB** Powder Coated Matte Black

**LAMPING:**

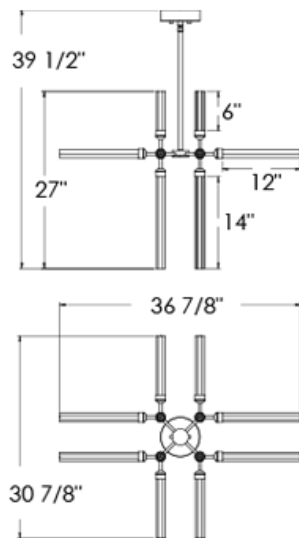
(5)  **Medium** Base Socket, for LED A Style Bulb or Self-Ballasted CFL







# MODEL 2396



#### DIMENSIONS:

H: 39 1/2" D: 30 7/8" W: 36 7/8"


#### FINISH SHOWN:

**ORBZ** Oil Rubbed Bronze

#### SHADE MATERIAL SHOWN:

Fluted Frosted Glass Tubes

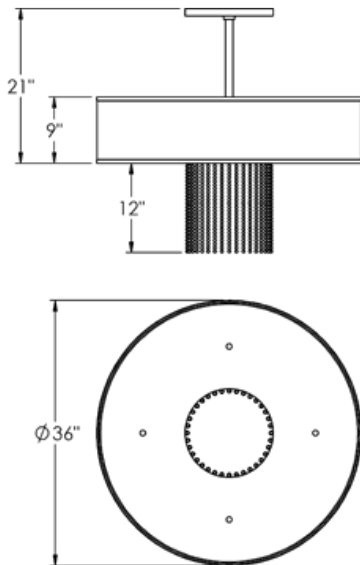
#### LAMPING:

(16)  L5-27K 5 Watt Integral LED, 2700 Kelvin





# MODEL 2435



#### DIMENSIONS:

H: 9" Dia: 36"

#### FINISH SHOWN:

**SDB** Standard Bronze

**SN** Satin Nickel


#### SHADE MATERIAL SHOWN:

CD Ivory Linen with an Opal Matte Acrylic Bottom  
Diffuser

#### SHADE SIZE:

H: 9" Dia: 36"

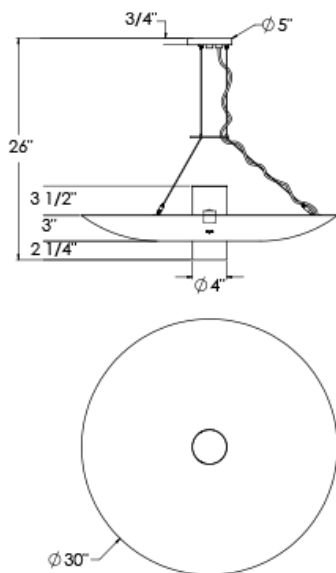
#### LAMPING:

(6)  **Medium** Base Socket, for LED A Style  
Bulb or Self-Ballasted CFL





# MODEL 2513



#### DIMENSIONS:

H: 26" Dia: 30"

#### FINISH SHOWN:

**PDMB** Powder Coated Matte Black


#### SHADE MATERIAL SHOWN:

Metal

#### ALSO AVAILABLE IN:

Opal Acrylic Diffuser

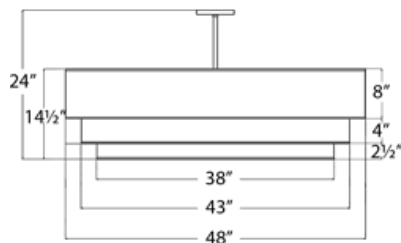
#### LAMPING:

(2)  **L3-27K** 3 Watts, 2700K LED





# MODEL 2654



#### DIMENSIONS:

H: 24" Dia: 48"

#### FINISH SHOWN:

**BN** Brushed Nickel


#### SHADE MATERIAL SHOWN:


Anna Cream Silk

#### SHADE SIZE:

H: 14 1/2" Dia: 48"

#### LAMPING:

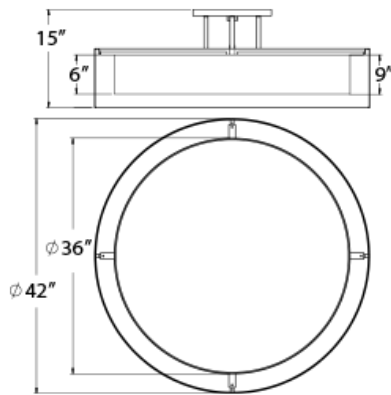
(5)  **GU24** Base Socket, for LED A Style Bulb or Self-Ballasted CFL

(5)  **Medium** Base Socket, for LED A Style Bulb or Self-Ballasted CFL





# MODEL 2666



#### DIMENSIONS:

H: 15" Dia: 42"

#### FINISH SHOWN:

Distressed Gold

#### SHADE MATERIAL SHOWN:

Bronze Organza


Hardback CD Ivory with an Opal Matte Acrylic

Bottom Diffuser

#### SHADE SIZE:

H: 9" Dia: 42"

#### LAMPING:

(4)  GU24 Base Socket, for LED A Style Bulb  
or Self-Ballasted CFL





# MODEL 2719-4



#### DIMENSIONS:

H: 32" D: 71" W: 71"

#### FINISH SHOWN:

**SA** Satin Aluminum


#### SHADE MATERIAL SHOWN:


Cherry Wood Acrylic with an Opal Matte Acrylic  
Bottom Diffuser

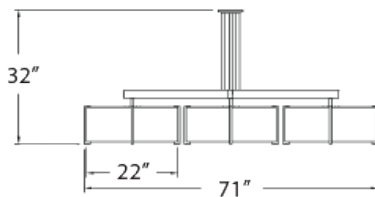
#### ALSO AVAILABLE IN:

Linen Acrylic  
Opal Matte Acrylic

#### LAMPING:

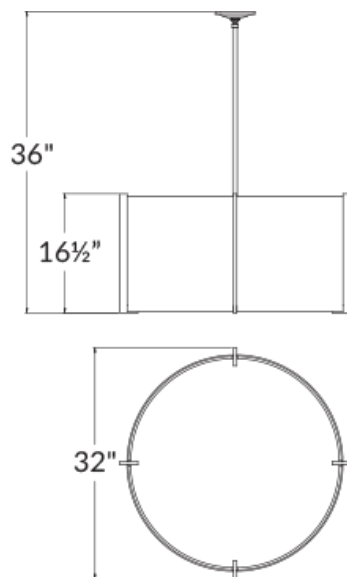
(8)  **C26E** 26 Watt Quad Tube Compact  
Fluorescent 4 Pin Electronic, G24Q-3 Base

(8)  **Medium** Base Socket, for LED A Style  
Bulb or Self-Ballasted CFL





# MODEL 2741



#### DIMENSIONS:

H: 36" Dia: 32"


#### FINISH SHOWN:


**BZ** Bronze

#### SHADE MATERIAL SHOWN:

Milan Quarry Acrylic

#### LAMPING:

(4)  **C26E** 26 Watt Quad Tube Compact  
Fluorescent 4 Pin Electronic, G24Q-3 Base

(4)  **Medium** Base Socket, for LED A Style  
Bulb or Self-Ballasted CFL

